

maytronics ozoneSwim®

1000, 2000, 3000 Series

Jan 2020

Combo Units Exploded Views



Order by Part Number

Part No.	Description	Code	Page
BR-AC1200	Ozone Acrylic Door Assy Complete (1200)	10-12	17
BR-ADC	Ozone Acrylic Door Assy (Combo Models)	10-12	17
BR-AFOZ	Ozone Air Filter Assy	8	15
BR-BBT	Ozone Analog Time Clock Assy (battery backup)	5	12
BR-CCELL10	Ozone Chlorinator Cell (1000 series)	18	24
BR-CCELL2000	Ozone Chlorizone Cell (2000 & 2000+ series)	18	24
BR-CELL3000	Ozone Chlorizone Cell (3000 & 3000+ series)	18	24
BR-CH10	Ozone Cell Housing (1000 & 1000+ series)	17	23
BR-CH20	Ozone Chlorine Cell Housing (2000 - 3000)	17	23
BR-CHLOR10	Ozone Chlorine Printed Circuit Board (1000)	3	10
BR-CHLOR20	Ozone Printed Circuit Board (2000 & 2000+)	3	10
BR-CHLOR30	Ozone Chlorine Printed Circuit Board (3000)	3	10
BR-CK	Ozone Output Control Knob	4	11
BR-CTrans	Ozone Transformer	16	22
BR-F2A	Ozone Glass 2 Amp Fuse (1200 series)	6	13
BR-F5A	Ozone 5 Amp Fuse	6	13

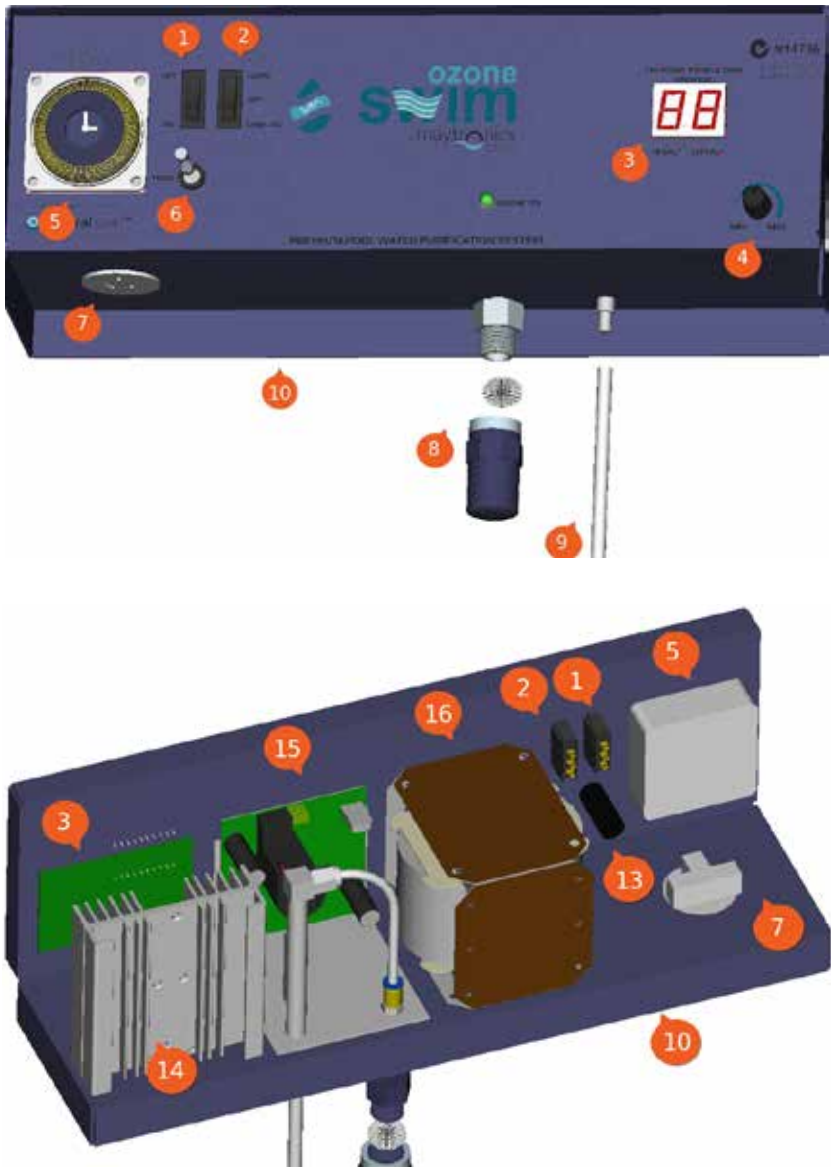
Order by Part Number (cont.)

Part No.	Description	Code	Page
BR-FAN	Ozone Fan Assy	12	18
BR-FH1	Ozone Fuse Holder	13	19
BR-HSINK	Ozone Heatsink Complete	14	20
BR-INJMAN	Ozone Swim Injection Manifold	20	26
BR-OZTRANS	Ozone Transformer (1200 series)	16	22
BR-PO10A	Ozone 3 Pin Flush Power Outlet 240v	7	14
BR-RS2	Ozone 2 Position Power Switch	1	8
BR-RS3	Ozone 3 Position Power Switch	2	9
BR-TCA	Ozone Analog Time Clock Assy	5	12
BR-TCA-12	Ozone Analog Time Clock Assy (1200 series)	5	12
BR-TCV	Ozone Teflon Check Valve	19	25
BR-TRNS	Ozone Tordial Transforma 50VA	16	22
BR-TTA	Ozone Teflon Tubing Assy 1.5m	9	16

Order by Exploded Code

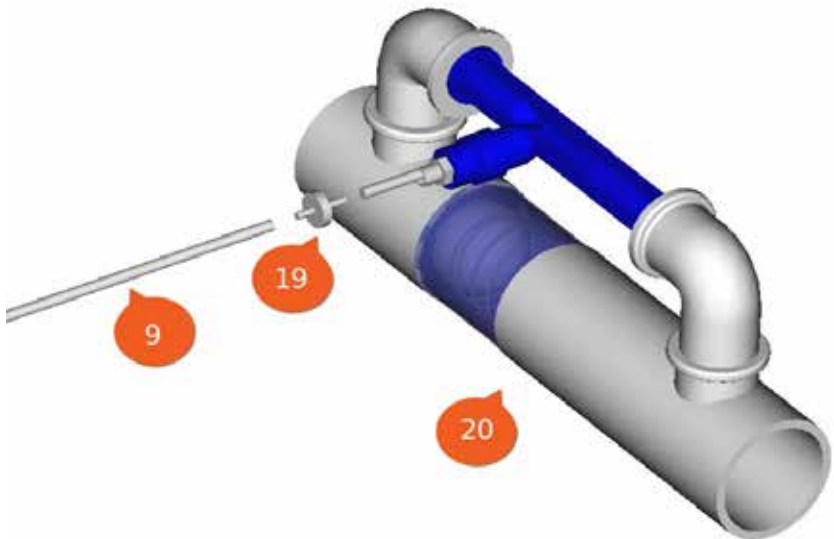
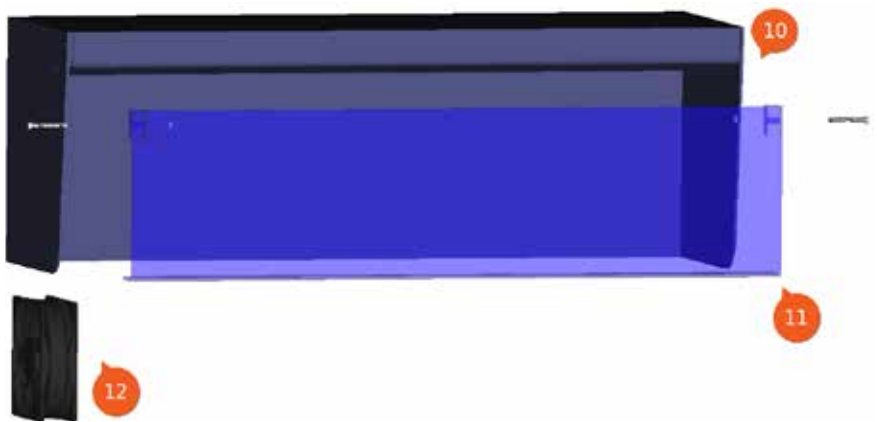
Exp. Code	Description	Page
1	Sanitation Switch (2 POS)	8
2	Auto / Off / Manual Switch (3 POS)	9
3	Chlorination Board	10
4	Chlorination Control Knob	11
5	Timer	12
6	Fuse	13
7	240v Power Outlet	14
8	Air Filter Assy	15
9	Teflon Tubing	16
10	Housing Lid	17
11	Tinted Visor	17
12	Fan Assy	18
13	Fuse Holder	19
14	Heatsink	20
15	Ozone Module	21
16	Transformer	22
17	Chlorinator Cell House + Locking Ring	23
18	Chlorinator Cell	24
19	Teflon Check Valve	25
20	Injection Manifold	26

Ozone Swim Exploded Views and Codes



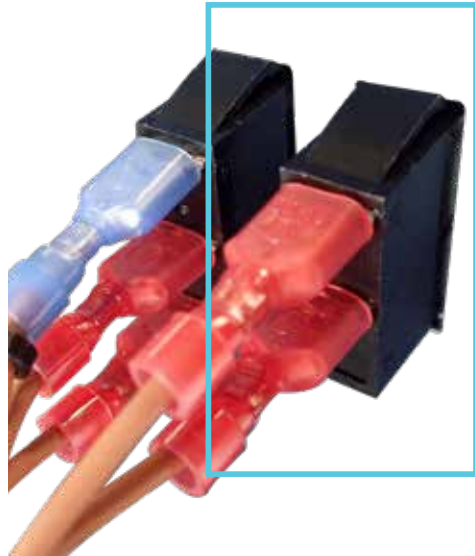
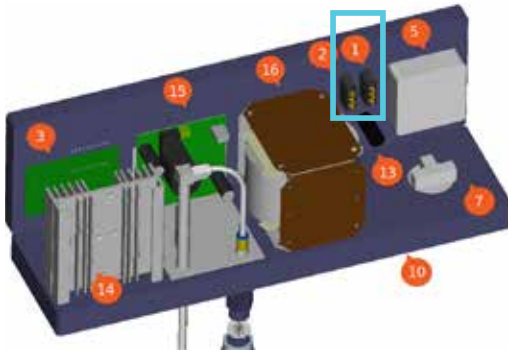
Order by Exploded Code

Exp. Code	Description	Page
1	Sanitation Switch (2 POS)	8
2	Auto / Off / Manual Switch (3 POS)	9
3	Chlorination Board	10
4	Chlorination Control Knob	11
5	Timer	12
6	Fuse	13
7	240v Power Outlet	14
8	Air Filter Assy	15
9	Teflon Tubing	16
10	Housing Lid	17
11	Tinted Visor	17
12	Fan Assy	18
13	Fuse Holder	19
14	Heatsink	20
15	Ozone Module	21
16	Transformer	22
17	Chlorinator Cell House + Locking Ring	23
18	Chlorinator Cell	24
19	Teflon Check Valve	25
20	Injection Manifold	26



1 Sanitation Switch (2 POS)

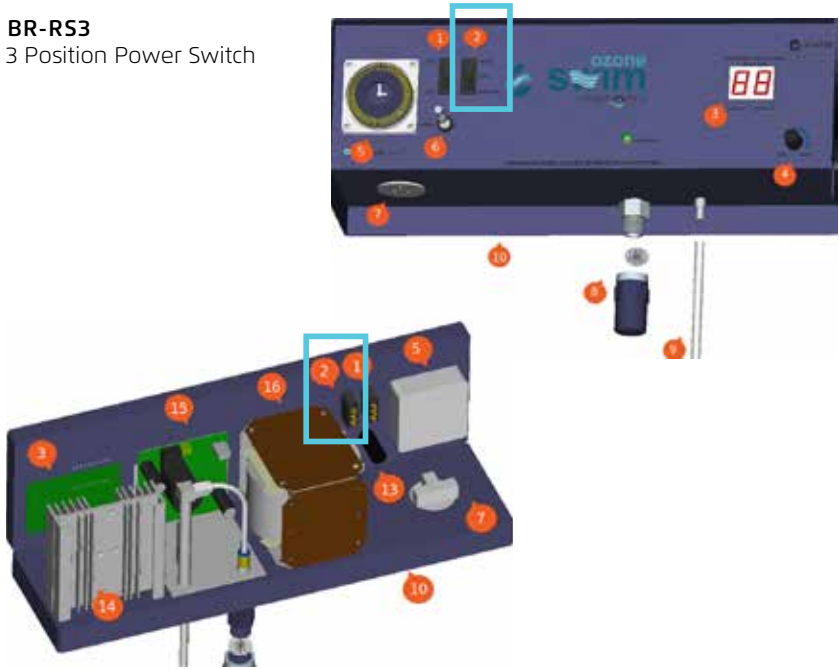
BR-RS2
2 Position Power Switch



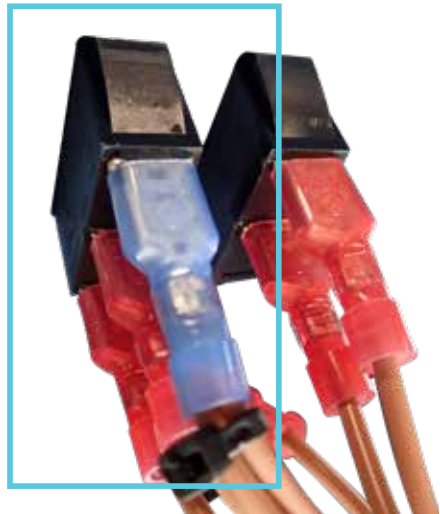
1 Sanitation Switch
(2 POS) (Internal)

2 Auto / Off / Manual Switch (3 POS)

BR-RS3
3 Position Power Switch



2 Auto/Off/Manual Switch
(3 POS) (Internal)



3 Printed Circuit Board

BR-CHLOR10

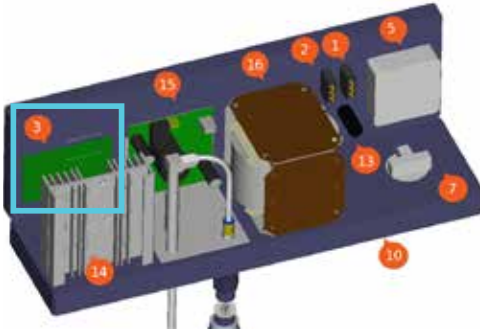
Ozone Chlorine Printed Circuit Board (1000)

BR-CHLOR20

Ozone Printed Circuit Board (2000 / 2000+)

BR-CHLOR30

Ozone Chlorine Printed Circuit Board (3000)



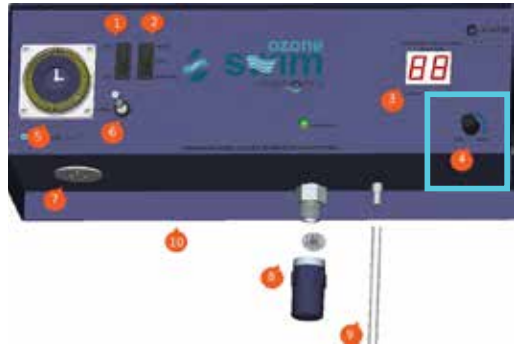
3 Chlorination Board (External)

3 Chlorination Board (Internal)



4 Output Control Knob

BR-CK
Ozone Chlorination
Output Control Knob



4 Chlorination Control Knob

5 Analog Time Clock Assy

BR-BBT

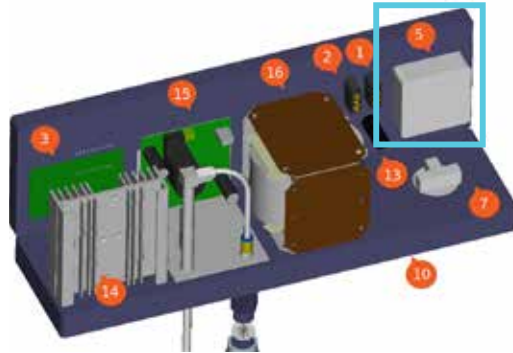
Ozone Analog Time Clock Assy (battery backup)

BR-TCA

Analog Time Clock Assy

BR-TCA-12

Analog Time Clock Assy suitable for 1200 series



5 Timer (External)



5 Timer (Internal)

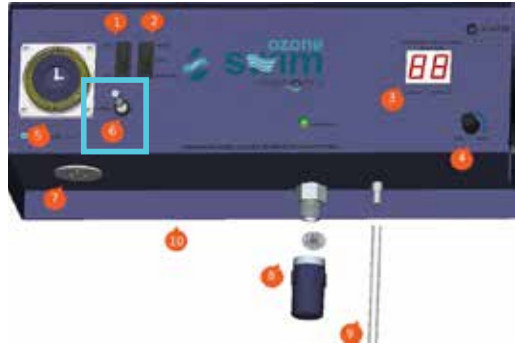
6 Amp Fuse

BR-F2A

Ozone Glass 2 Amp Fuse
(1200 series)

BR-F5A

Ozone 5 Amp Fuse

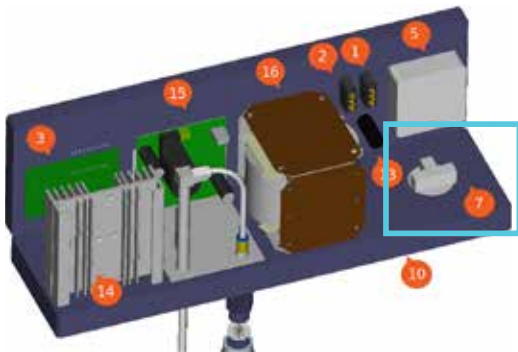


6 Fuse

7 240v Power Outlet

BR-P010A

Ozone 3 Pin Flush Power Outlet



7 240v Power Outlet (External)



7 240v Power Outlet (Internal)

8 Air Filter Assy

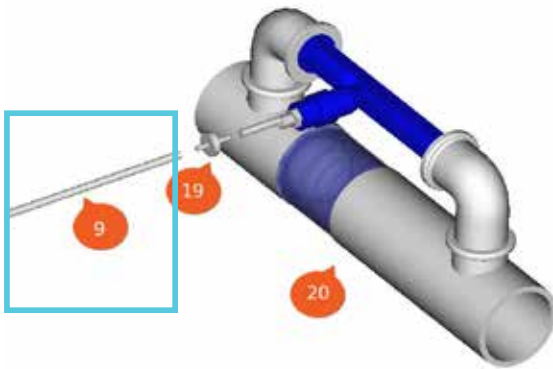
BR-AFOZ
Ozone Air Filter Assy



8 Air Filter Assy

9 Teflon Tubing

BR-TTA
Teflon Tubing Assy 1.5m



9 Teflon Tubing

10-12 Acrylic Door Assy

BR-AC 1200

Ozone Acrylic Door Assy
Complete (1200)

BR-ADC

Ozone Acrylic Door Assy
(Combo Units)

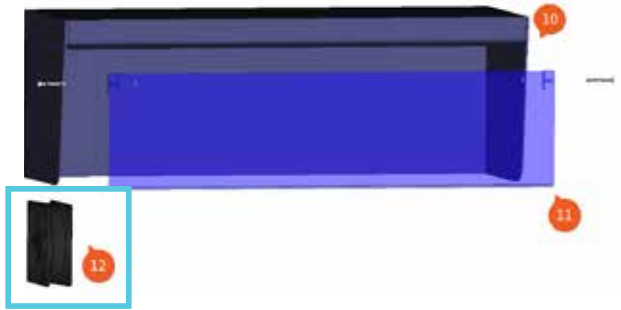
- 10** Housing Lid
- 11** Tinted Visor
- 12** Fan Assy (see p18)



10 Housing Lid

12 Fan Assy

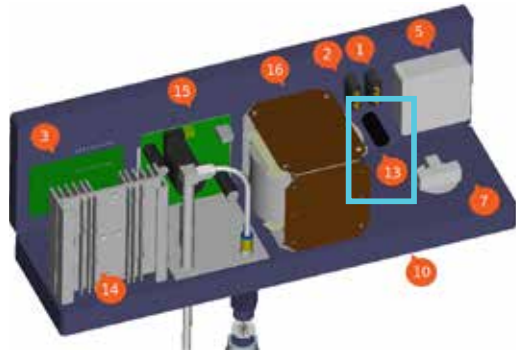
BR-FAN
Ozone Fan Assy



12 Fan Assy

13 Fuse Holder

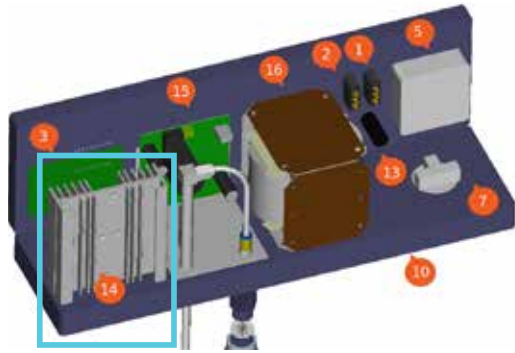
BR-FH1
Ozone Fuse Holder



13 Fuse Holder

14 Heatsink

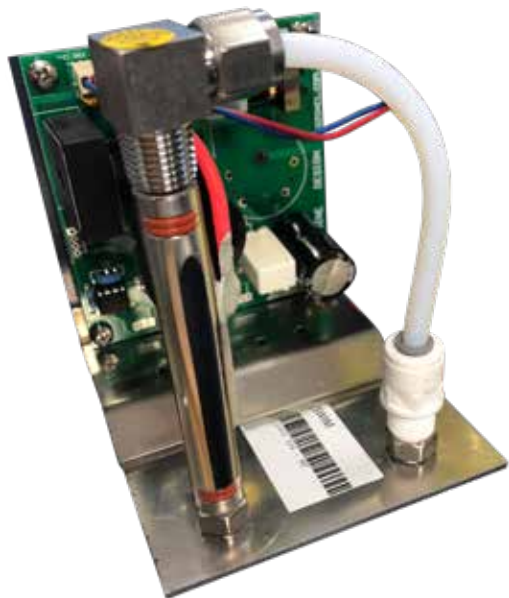
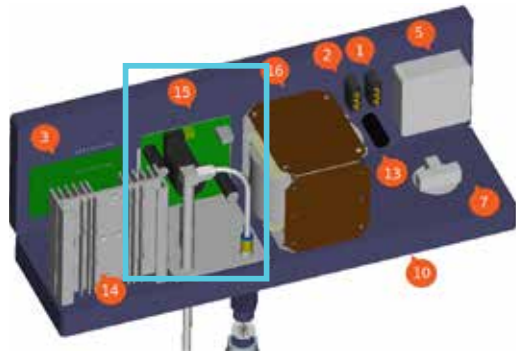
BR-HSINK
Ozone Heatsink
Complete



14 Heat Sink

15 Ozone Module

15 Ozone Module



15 Ozone Module

16 Transformer

BR-CTRANS

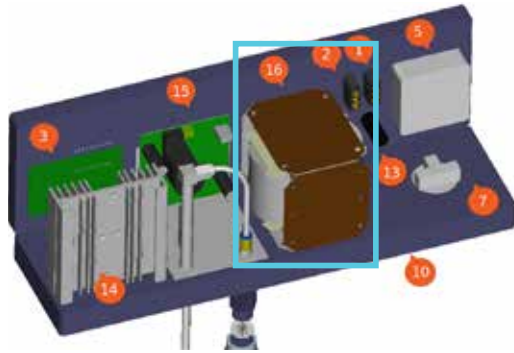
Ozone Transformer

BR-OZTRANS

Ozone Transformer for 1200 series

BR-TRNS

Ozone Toroidal Transforma
50VA



16 Transformer

17 Cell Housing

BR-CH10

Ozone Cell Housing
(1000 & 1000+ Series)

BR-CH20

Ozone Cell Housing
(2000 - 3000)



17 Chlorinator Cell Housing & Locking Ring

18 Chlorinator Cell

BR-CCELL10

Ozone Chlorinator Cell
suitable for 1000 series

BR-CCELL2000

Ozone Chlorinator Cell
(2000 & 2000+ series)

BR-CCELL3000

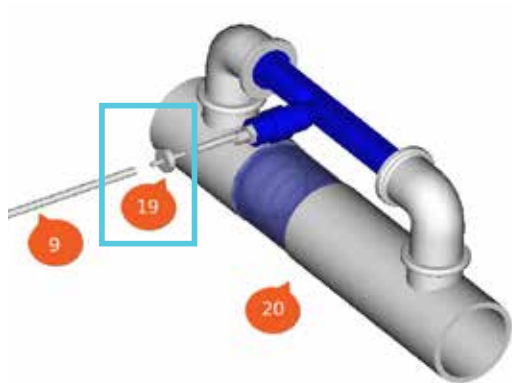
Ozone Chlorinator Cell
(3000 & 3000+ series)

18 Chlorinator Cell

19 Teflon Check Valve

BR-TCV

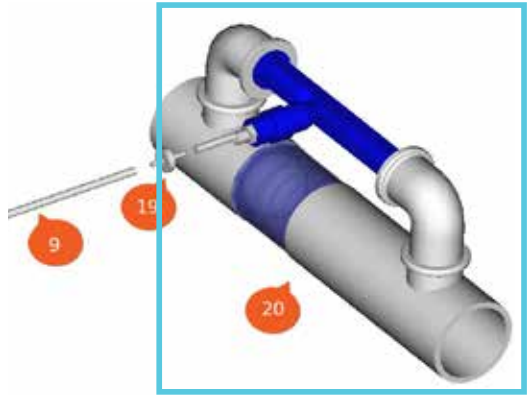
Teflon Check Valve



20 Injection Manifold

BR-INJMAN

Ozone Swim Injection
Manifold



20 Ozone Swim
Injection Manifold

Disclaimer:

This document is for internal use only and not to be distributed in stores.
Designed by Maytronics Australia.

maytronics ozoneSwim®

EXCEPTIONAL POOL PURIFICATION

ozoneswim.com.au

