

PERISTALTIC DOSING PUMP— series ePool**TECHNICAL FEATURES**

- Maximum Flow Rate: up to 3 l/h (Fixed Flow)
- Maximum Pressure: up to 3 bar
- Power Supply Range: 220/240Vac 50/60Hz for 1.5L-1.5bar & 3L-1.5bar
100/240Vac 50/60Hz for 2L-2bar & 3L-3bar
- Hose: Santoprene® (*)
- pH range: 5 ÷ 9 pH
- Rx range: -300 ÷ +900mV
- Installation Kit: Included (*)



(*) Upon request: different configurations.

ePool is an Integrated Instrumental peristaltic dosing pump for control and regulation of pH or Rx for wall mounted. The standard pump has Santoprene® hose, upon request Silicon tube.

The functions performed by the ePool are:

Set Point Selection, Type of intervention (direct or inverse), Hysteresis, ON/OFF or proportional activation mode respect to the measure value, Delay time of the pump activation, Over alarm (indicates an overdose situation), Relay output for signaled alarm status, Level switch input.

Standard voltage that the ePool 1.5 l/h @ 1.5 bar and 3 l/h @ 1.5 bar can receive is 220/240Vac 50/60Hz, while the ePool 2 l/h @ 2 bar and 3 l/h @ 3 bar is 100-250Vac 50/60Hz.

All ePool pumps are supplied with a standard FPM installation kit, composed of: 2m discharge polyethylene tube (4x6mm), 2m suction PVC crystal tube (4x6mm), foot filter without valve, 3/8" FPM injection valve, plastic body electrode with 5mt cable, level switch with 2mt cable and support, buffer solutions, inline PP probe holder, 1/2"Gf clamp saddle for electrode holder, PVC reduction nipple 1/2"Gm to 3/8"Gf, wall mounting plate, 4 plugs and screws.



We reserve the right to make changes at any time without notice to colors, materials, specifications and models

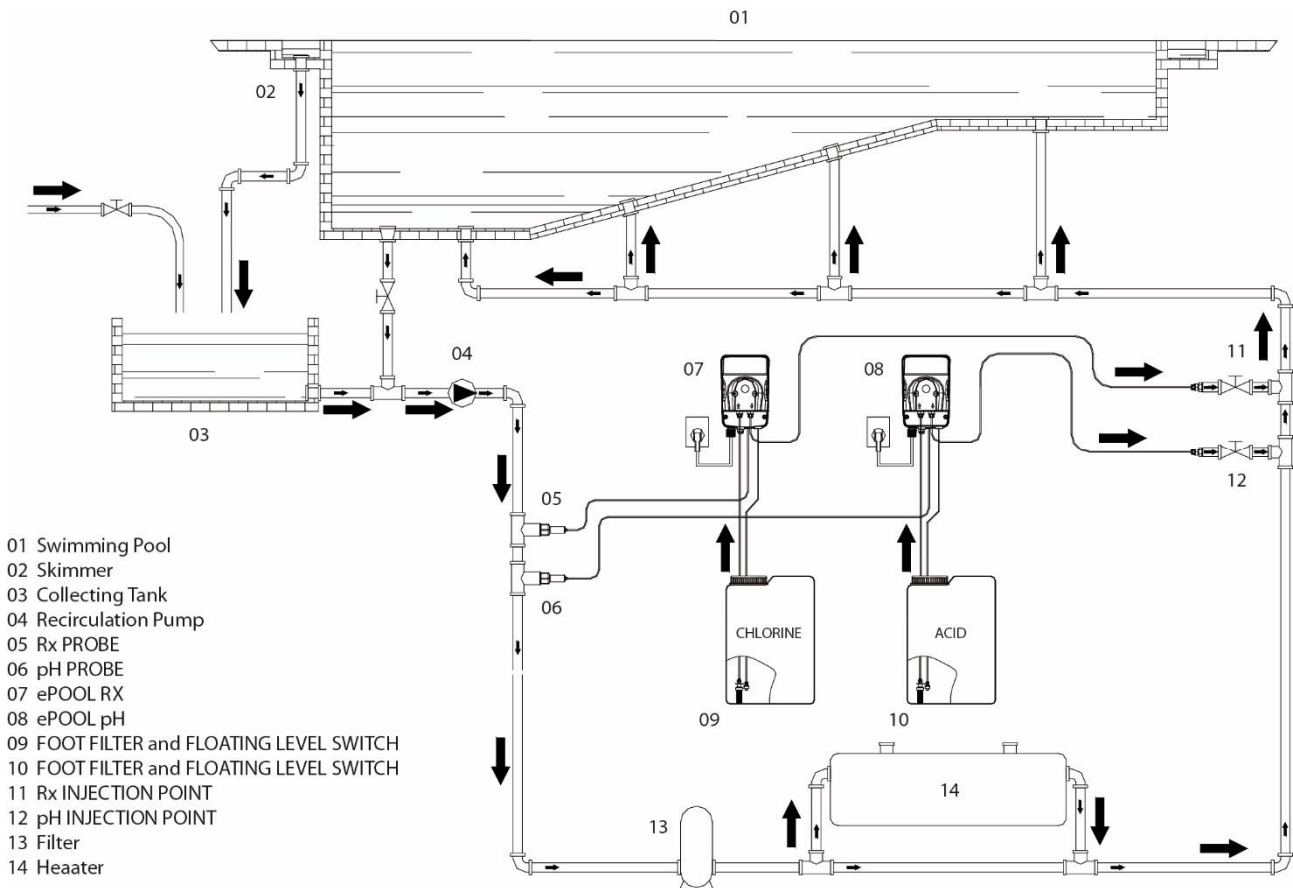
PERISTALTIC DOSING PUMP— series ePool

CODE

ePool

Model	Type	Version	Liquidend
CXB	400 = ePool	03 = 1.5-1.5 (220-240V)	01 = (with pH kit) Santoprene® tube
		04 = 3-1.5 (220-240V)	02 = (with Rx kit) Santoprene® tube
		05 = 2-2 (100-250V)	Z6 = (without kit) Santoprene® tube
		06 = 3-3 (100-250V)	

TYPICAL INSTALLATION



We reserve the right to make changes at any time without notice to colors, materials, specifications and models

PERISTALTIC DOSING PUMP— series ePool

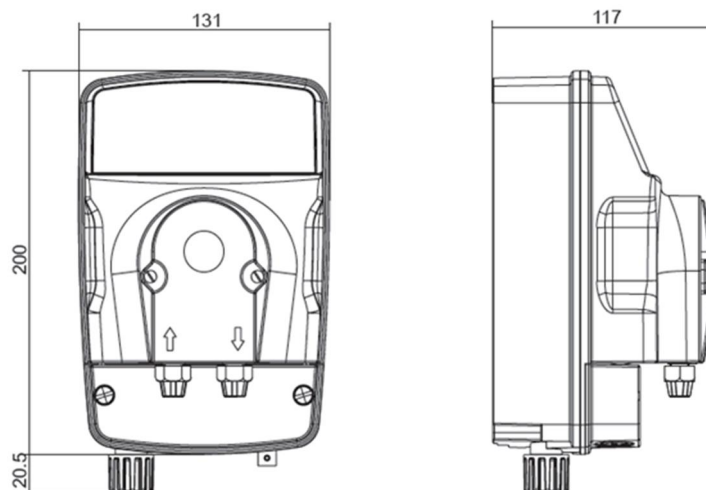
CONTROL UNITS

Control and Regulation Systems for pH, Rx or pH-Rx, composed of:

- 1- One or two ePool pumps.
- 2- 40x60cm Panel.
- 3- Block valves.
- 4- Connections for tube 10x14mm.
- 5- Water filter with washable net cartridge 150 microns.
- 6- Methacrylate probe holder.
- 7- Manual sampling.
- 8- pH and/or Rx probes with cables and buffer solutions.



DIMENSIONS



We reserve the right to make changes at any time without notice to colors, materials, specifications and models

