



HAYWARD®

TriStar VS™

>>> VARIABLE SPEED PUMP

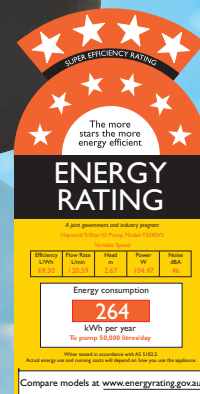
IT'S A TEN.

AUSTRALIA'S FIRST 10-STAR ENERGY RATED PUMP.

Power your system with Australia's first 10 Star Energy Efficiency Rated Variable Speed Pump. This pump is built to last and engineered to perform under the most demanding conditions.

Incredibly quiet by design, your sunny afternoons and casual evenings are made all the more enjoyable and relaxing with the silent operation of the TriStar VS.

SAVE UP TO
90%
ON SWIMMING POOL
RUNNING COSTS



FEATURES & BENEFITS

- >> **SUPER SILENT OPERATION**
At all speeds
- >> **10 STAR ENERGY EFFICIENCY RATING**
Save up to 90% on swimming pool running costs
- >> **SELF PRIMING**
Up to 2.4m
- >> **CUSTOMISE TO YOUR REQUIREMENTS**
Easily customise speeds, countdown timers and priming time
- >> **SEE THROUGH COVER**
For easy basket viewing
- >> **THROUGH-BOLT HOUSING ASSEMBLY**
Allows for simple service
- >> **DURABLE**
Permanent magnet, totally enclosed fan cooled motor design provides incredible durability
- >> **DIGITAL INTERFACE**
Shows real time power consumption in watts for immediate feedback to maximise energy savings
- >> **INCLUDES UNIONS**
Comes with 50mm and 65mm unions



BEST IN-CLASS ENERGY EFFICIENCY
TriStar Variable Speed Pool Pumps provide best in-class energy efficiency, saving you up to hundreds of dollars per year in swimming pool running costs. The TriStar VS is the first Pool Pump in Australia to have been awarded a 10 star energy efficiency rating according to the Australian Government's Energy Rating Testing.

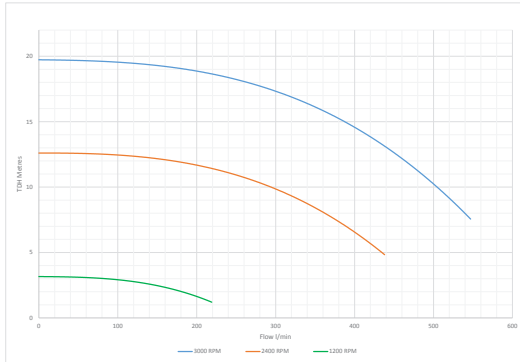


EASY TO INSTALL
Designed for simple installation, TriStar Variable Speed Pumps can operate in standalone mode or connect to the OmniLogic Automation System for seamless control.

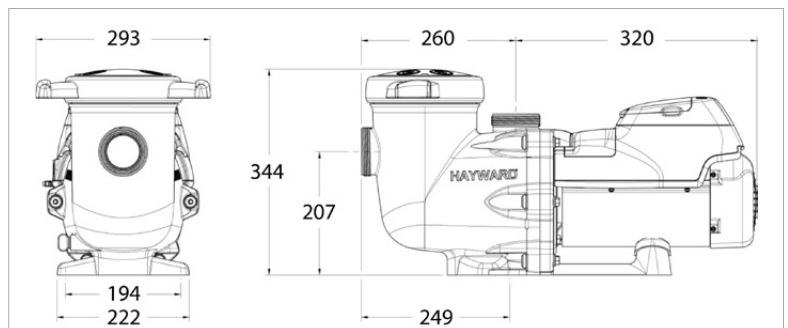
SPECIFICATIONS

MODEL NUMBER	UNION CONNECT (MM)	ENERGY RATING	ELECTRICAL CONNECTION	VOLTAGE HERTZ/PHASE	AMPS	DIAMETER (MM) W x L	HEIGHT (MM)	UNIT WEIGHT (KG)	NOISE LEVEL (dBA@1M)
SP3220HVS	50/65	10	PLUG & PLAY	220-240 50/1	7.2	293 x 580	344	12	46

TRISTAR VS PERFORMANCE COMPARISON



DIMENSIONAL DRAWING



CHARTED PERFORMANCE CURVE- FLOW (LPM) VS HEAD LOSS (M):

SPEED (RPM)	FLOW RATE* (LPM)	TOTAL HEAD LOSS (M)	INPUT WATTS (W)	COST PER HOUR (C)
1200	216	1.3	124	3.2
2400	432	5.1	852	22
3000	540	8.0	1665	43

*Flow rates are based on a maximum rpm @ 8M TDH and cost per hour is based on average of \$0.26Kwh

>> www.hayward-pool.com.au >> 1300 POOLS1 >> sales@hayward-pool.com.au

Pumps >> **Filters** >> **Heating** >> **Cleaners** >> **Sanitisation** >> **Automation** >> **Lighting** >> **White Goods**



Hayward is a registered trademark of Hayward Industries, Inc. © 2017 Hayward Industries, Inc. All other trademarks not owned by Hayward are the property of their respective owners. Hayward is not in any way affiliated with or endorsed by those third parties.

30-LTBR-B6V0



PO Box 4384 | Dandenong South, VIC, 3164