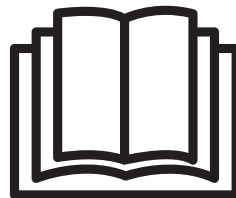
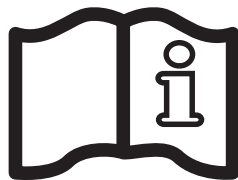
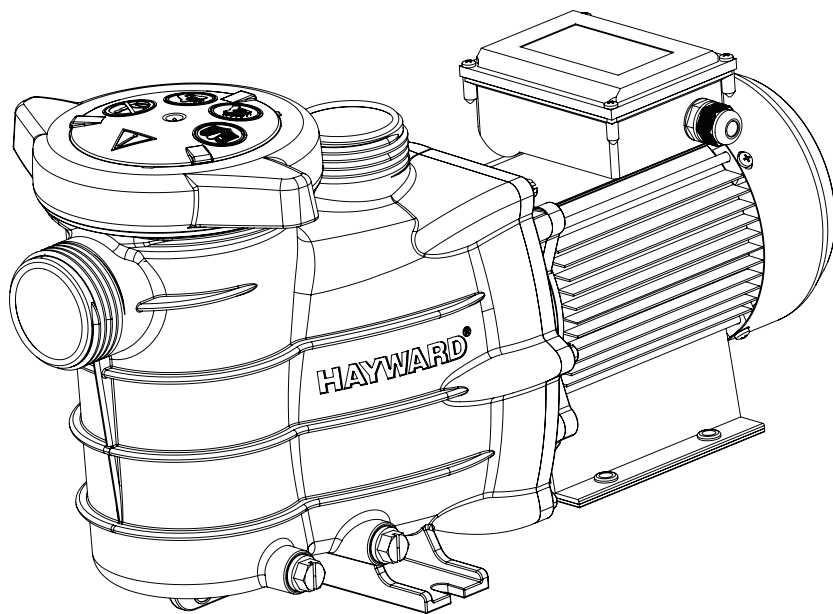




# HAYWARD®



## CENTRIFUGAL PUMPS POWER-FLO® II

OWNER'S MANUAL

**SAVE THIS OWNER'S MANUAL**

**Hayward Pool Products (Australia) Pty Ltd.**

Melbourne-Sydney-Brisbane-Perth

Email: [sales@hayward-pool.com.au](mailto:sales@hayward-pool.com.au) Website: [www.hayward-pool.com.au](http://www.hayward-pool.com.au)

P.O. Box 4384, Dandenong South, VIC. 3164


ABN 66 083 413 414

Sales Ph 1300POOLS1 Fx 1300POOLS2




**WARNING: Electrical Hazard. Failure to follow instructions can result in serious injury or death.  
FOR USE WITH SWIMMING POOLS**


 **WARNING** – Disconnect the pump from the main power supply completely before servicing the pump or filter.

 **WARNING** – All electrical connections must be done by a qualified electrician according to local electrical regulations and AS/NZS 3000 Wiring Rules .


 **WARNING** – This Product should be installed and serviced only by a qualified professional.


 **WARNING** – Read and follow all instructions in this owner's manual and on the equipment. Failure to follow instructions can cause serious injury or death.  
This document should be given to the owner of the swimming pool and must be kept by the owner in a safe place.


 **WARNING** – Be certain the pump is only plugged into a 230 V  $\pm$  10% outlet that is supplied through a Residual Current Device (RCD or Safety Switch) with a residual operating current not exceeding 30mA or supplied by an isolating transformer.

 **WARNING** – Use a motor bonding lug to connect motor with other bonded parts using the appropriate size conductor as required by electrical codes.

 **WARNING** – If the supply cord is damaged it must be replaced by the manufacturer, service agent, or similarly qualified persons in order to avoid a hazard.

 **WARNING** – Do not operate the swimming pool pump if the power cord or the housing of the motor connection box is damaged. This can cause an electric shock. A damaged power cord or motor connection box must be replaced by a service agent or a similarly qualified person immediately in order to avoid a hazard.


 **WARNING** – The appliance is not intended for use by persons (including children) with reduced physical, sensory or mental capabilities, or lack of experience and knowledge, unless they have been given supervision or instruction concerning use of the appliance in a safe way and understand the hazards involved.


 **WARNING** – Children should be supervised to ensure that they do not play with the appliance. Keep fingers and foreign objects away from openings and moving parts.

 **WARNING** – Cleaning and user maintenance shall not be made by children without supervision.

 **WARNING** – The pump is intended for continuous operation at Maximum Water temperature 35°C.

 **WARNING** – Use Only Genuine Hayward Replacement Parts.

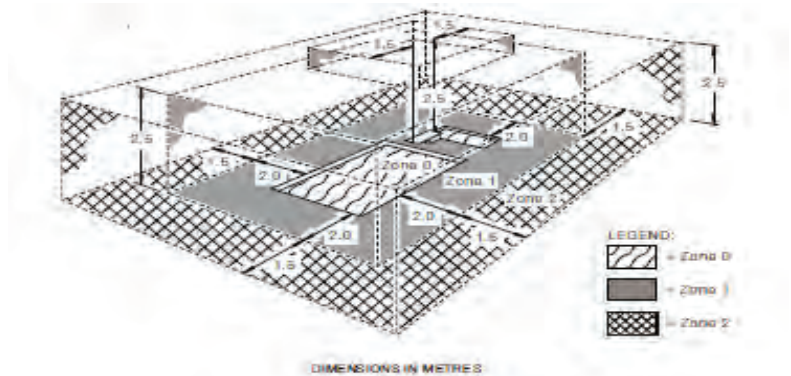
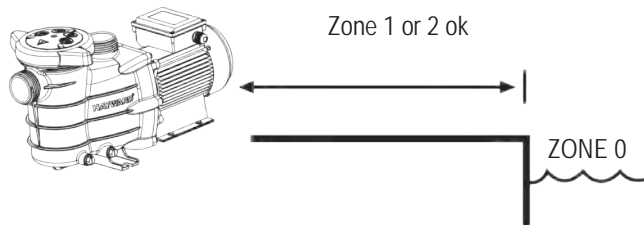
 **WARNING** – This pump is equipped with Automatic Thermal Overload Protection. The motor will automatically shut-off under normal conditions, before heat damage build-up, due to improper operating condition, can occur. The motor will automatically restart when a safe heat level is reached.

 **WARNING** – This pool motor is NOT equipped with a Safety Vacuum Release System (SVRS). SVRS helps prevent drowning due to body entrapment on underwater drains. In some pool configuration, if a person's body covers the drain, the person can be trapped by suction. Depending on your pool configuration, a SVRS may be required to meet local requirements.

**USE ONLY HAYWARD GENUINE REPLACEMENT PARTS**

## GENERAL

Install the pump at a convenient distance from the edge of the pool to minimize the distance between the suction point and the pump so as to avoid pointless and excessive load losses in the hydraulic circuit.



The Power-Flo II pump is constructed with a double insulated water circuit for extra safety when used on non equipotential bonded pools and spas. This pump can be mounted in swimming pool Zone 1, Zone 2, or outside of the swimming pool zones as per the conditions of AS/NZS 3000 Wiring Rules - latest edition.

**Nb.** If the pump is being mounted in Zone 1 or Zone 2 the motor must be equipotential bonded.

Install the pump in a ventilated, dry and well drained area that will not flood when it rains. The motor requires air to flow freely around it to provide natural ventilation for cooling. If installed within an outer enclosure or beneath the skirt of a hot tub or spa, adequate ventilation and free circulation of air must be provided to prevent overheating of the motor.

The pump has to be installed, so that the plug and the wall socket outlet is easily visible and accessible.

The pump must be permanently mounted to a concrete base using lag screws suitable for concrete where pilot holes have been drilled. Locking washers must be supplied to prevent loosening of the mounting lag screws over time. If the pump is to be mounted to a wooden deck then lag screws suitable for wood must be used - with lock washers to prevent loosening over time.

The acoustic level of the Hayward pumps is lower than 70 dB (A).

## ELECTRICAL CONNECTION

Make sure that the power supply voltage required by the motor corresponds to that of the distribution network and that the power supply cables matches the power and current of the pump as in accordance with AS/NZS 3000 Wiring Rules.

Any changes to or installation of power outlets must be done by a qualified electrical contractor.

The supply power is to be supplied by an isolating transformer or supplied through a residual current device (RCD) having a rated residual operating current not exceeding 30 mA.

The single phase motors fitted to our pumps are provided with thermal protection. This protection operates on an overload or in the event of abnormal heating of the motor coil and is reset automatically when the winding temperature drops which allows the pump to automatically restart without warning.

## STARTING AND PRIMING INSTRUCTIONS

Fill strainer housing with water to suction pipe level. Never operate the pump without water. Water acts as a coolant and lubricant for the mechanical shaft seal.

Open all suction and discharge valves, as well as air bleed (if available) on filter. (The air that is to be displaced from the suction line must have someplace to go).

Turn on power and allow a reasonable time for priming. Five minutes is not unreasonable. (Priming time depends on suction lift and horizontal length of suction piping). If pump will not start, or will not prime, see TROUBLE SHOOTING GUIDE.

## MAINTENANCE

1. Clean strainer basket regularly. Do not strike basket to clean. Inspect strainer cover gasket regularly and replace as necessary.
2. Hayward pumps have self-lubricating motor bearings and shaft seals. No lubrication is necessary
3. Keep motor clean. Insure air vents are free from obstruction.
4. Occasionally, shaft seals become damaged or worn and must be replaced.
5. Except for cleaning activities, any repairing, servicing and maintenance has to be performed by a Hayward authorized service agent or a similarly qualified person.

## STORAGE

1. Drain pump by removing drain plug(s) and store in strainer basket.
2. Disconnect electrical wires and pipe connections, and store pump in a dry, well-ventilated room. Or, as a minimum precaution: Disconnect electrical wires. Remove four bolts holding bracket and motor assembly to Strainer/Housing and store assembly in a dry, well-ventilated room. Protect remaining Strainer/Housing assembly from the elements by covering.

**NOTE:** Before Re-Activating pump, thoroughly clean and remove scale, dirt, etc.

## TROUBLE SHOOTING GUIDE

### A) Motor won't start - Check for :

1. Power cord is plugged into power outlet, open switches or relays, blown circuit breakers or fuses.
2. Manually check rotation of motor shaft for free movement and lack of obstruction.

### B) Motor cuts out - Check for : (Recommend contacting service agent or similarly qualified person)

1. Damaged power cord, plug, or power outlet.
2. Low voltage at motor (frequently caused by undersized wiring).
- 3 Binding and overload. (Amperage reading.).

**NOTE:** Your pump motor is equipped with Automatic Thermal Overload Protection. The motor will automatically shut-off under adverse conditions before heat damage build-up can occur. The motor will automatically restart when a safe heat level is reached.

### C) Motor hums, but does not start - Check for :

1. Open capacitor or debris jammed in the impeller (Contact service agent or similarly qualified person).

### D) Pump won't prime :

1. Make sure pump strainer/housing is filled with water, and that cover gasket is clean and properly seated. Tighten hand nuts.
2. Make sure all suction and discharge valves are open and unobstructed, and that pool water level is above all suction openings.

**USE ONLY HAYWARD GENUINE REPLACEMENT PARTS**

3. Block off suction as close to pump as possible and determine if pump will develop a vacuum.
  - a) If pump does not develop vacuum, and pump has sufficient "priming water":
    1. Tighten all bolts and fittings on suction side.
    2. Check voltage to make sure pump is up to speed.
    3. Open pump and check for clogging or obstruction.
    4. Remove and replace shaft seal.
  - b) If pump develops a vacuum, check for blocked suction line or strainer, or air leak in suction piping.

**E) Low flow - Generally, Check for :**

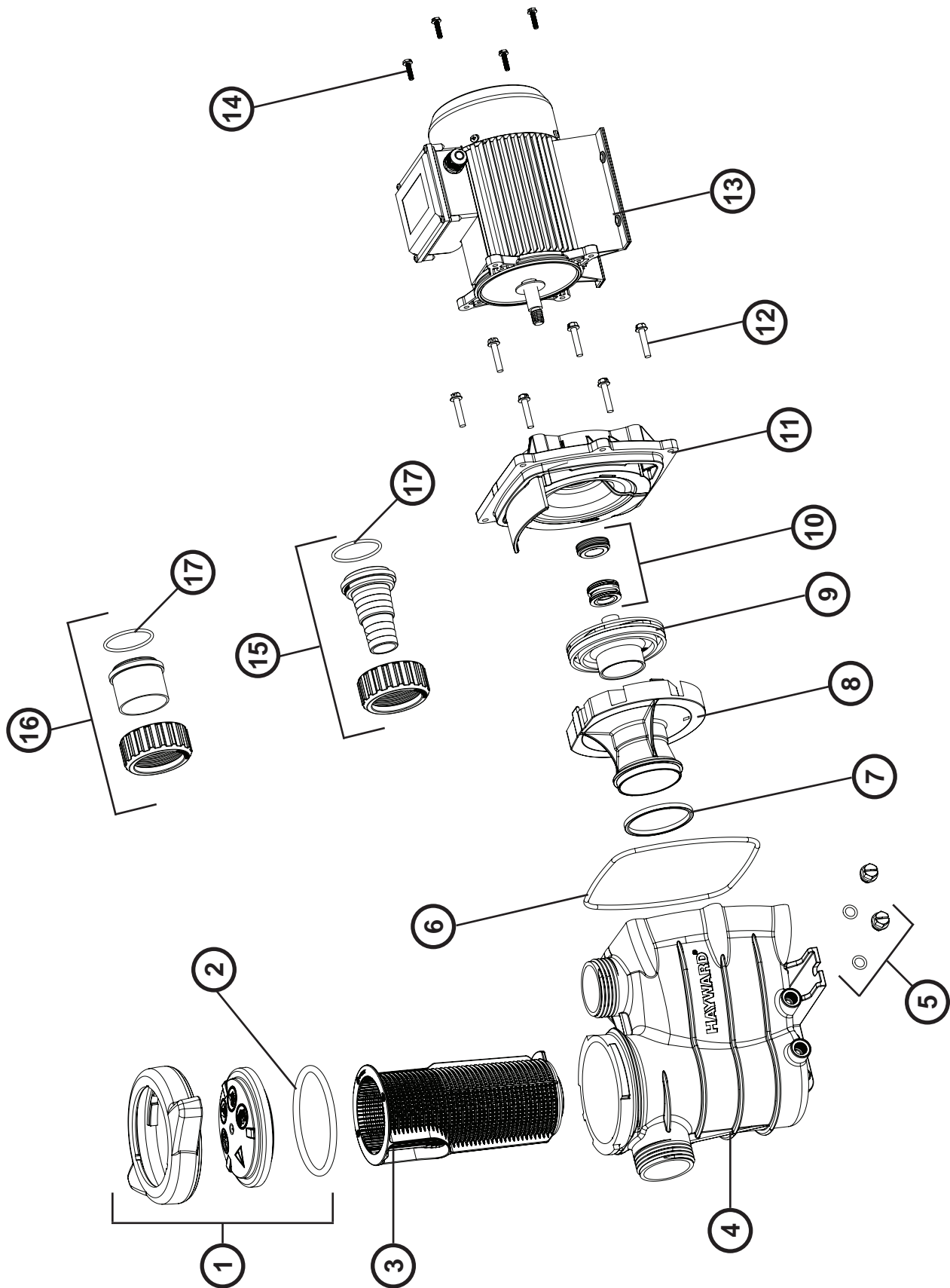
1. Clogged or restricted strainer or suction line; undersized pool piping.
2. Plugged or restricted discharge line of filter (high discharge gauge reading).
3. Air leak in suction (bubbles issuing from return fittings).
4. Pump operating under speed (low voltage).
5. Plugged or restricted impeller.

**F) Noisy pump - Check for**

1. Air leak in suction causing rumbling in pump.
2. Cavitation due to restricted or undersized suction line and unrestricted discharge lines.  
Correct suction condition or throttle discharge lines, if practical.
3. Vibration due to improper mounting, etc.
4. Foreign matter in pump housing.
5. Motor bearings made unserviceable by wear, rust, or continual overheating.

**Specification Table**

Pump	Reference motor	Nominal power	Voltage Frequency Nb phase	Amperage	Capacitor	Maximum Total Head
<b>SP8105DIAU</b>	SPX81037Z1CAUI	610 W	230 V 50 Hz 1 Phase	2,6 A	18 µF, 450 V	14,1 M
<b>SP8107DIAU</b>	SPX81055Z1CAUI	790 W	230 V 50 Hz 1 Phase	3,4 A	18 µF, 450 V	14,6 M
<b>SP8110DIAU</b>	SPX81075Z1CAUI	920 W	230 V 50 Hz 1 Phase	4,0 A	18 µF, 450 V	15,7 M
<b>SP8115DIAU</b>	SPX81110Z1CAUI	1110 W	230 V 50 Hz 1 Phase	4,8 A	30 µF, 450 V	16,8 M



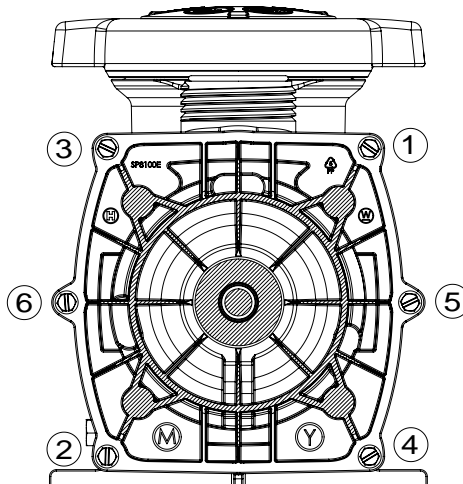
N°	SP8105DIAU	SP8107DIAU	SP8110DIAU	SP8115DIAU
1	SPX8100LDS	SPX8100LDS	SPX8100LDS	SPX8100LDS
2	SPX8100S	SPX8100S	SPX8100S	SPX8100S
3	SPX8100M	SPX8100M	SPX8100M	SPX8100M
4	SPX8100AA	SPX8100AA	SPX8100AA	SPX8100AA
5	SPX1700FG	SPX1700FG	SPX1700FG	SPX1700FG
6	GMX600F	GMX600F	GMX600F	GMX600F
7	SPX8100R	SPX8100R	SPX8100R	SPX8100R
8	SPX8100B	SPX8100B	SPX8100B	SPX8100B
9	SPX8137TI	SPX8155TI	SPX8175TI	SPX81110TI
10	SPX1600Z2	SPX1600Z2	SPX1600Z2	SPX1600Z2
11	SPX8100E	SPX8100E	SPX8100E	SPX8100E
12	6060XZ1	6060XZ1	6060XZ1	6060XZ1
13	SPX81037Z1CAUI	SPX81055Z1CAUI	SPX81075Z1CAUI	SPX81110Z1CAUI
14	SPX8100Z1	SPX8100Z1	SPX8100Z1	SPX8100Z1
15	SPX8100UNBPAK	SPX8100UNBPAK	SPX8100UNBPAK	SPX8100UNBPAK
16	SPX8100UNSAUPAK	SPX8100UNSAUPAK	SPX8100UNSAUPAK	SPX8100UNSAUPAK
17	SPX8100UNO	SPX8100UNO	SPX8100UNO	SPX8100UNO

**NOT SHOWN:** Motor Shaft Slinger - white plastic - **Part Number SP1500Q6**. Nb. This part must be changed if the Impeller (No 9) or Mechanical Seal (No 10) are changed.

### **HOUSING BOLT TORQUE PATTERN**

**50 - 60 INCH LBS**

**5.6 - 6.8 N m**





# **HAYWARD<sup>®</sup>**

**Hayward Pool Products (Australia) Pty Ltd.**

Melbourne-Sydney-Brisbane-Perth

Email: [sales@hayward-pool.com.au](mailto:sales@hayward-pool.com.au) Website: [www.hayward-pool.com.au](http://www.hayward-pool.com.au)

P.O Box 4384, Dandenong South, VIC. 3164

ABN 66 083 413 414

Sales Ph 1300POOLS1 Fx 1300POOLS2



Hayward and Power-Flo II are registered trademarks of Hayward Industries, Inc.  
© 2016 Hayward Industries, Inc.