



HAYWARD®

Sense and Dispense™

ORP and pH Sensing Kit for OmniLogic, OmniHub,
ProLogic and AquaRite Pro

Owner's Manual



Contents

OmniLogic Installation.....	2
OmniHub Installation.....	2
ProLogic Installation.....	19
AquaRite Pro Installation	19
Warranty.....	38

HL-CHEM

Hayward Pool Products
620 Division Street, Elizabeth NJ 07207
(908)-355-7995
www.hayward.com



HAYWARD®

FCC Statement

This device complies with part 15 of the FCC rules. Operation is subject to the following two conditions: (1) This device may not cause harmful interference, and (2) this device must accept any interference received, including interference that may cause undesired operation.

Changes or modifications not expressly approved by Hayward could void the user's authority to operate this equipment.

NOTE: This equipment has been tested and found to comply with the limits for a Class B digital device, pursuant to Part 15 of the FCC Rules. These limits are designed to provide reasonable protection against harmful interference in a residential installation. This equipment generates, uses and can radiate radio frequency energy and, if not installed and used in accordance with the instructions, may cause harmful interference to radio communications. However, there is no guarantee that interference will not occur in a particular installation. If this equipment does cause harmful interference to radio or television reception, which can be determined by turning the equipment off and on, the user is encouraged to try to correct the interference by one or more of the following measures:

- Reorient or relocate the receiving antenna.
- Increase the separation between the equipment and receiver.
- Connect the equipment into an outlet on a circuit different from that to which the receiver is connected.
- Consult the dealer or an experienced radio / TV technician for help.

Industry Canada Statement

This Class B digital apparatus complies with Canadian ICES-003.

Cet appareil numérique de la classe B est conforme à la norme NMB-003 du Canada.

The term "IC" before the certification / registration number only signifies that the Industry Canada technical specifications were met.



HAYWARD®

OmniLogic and OmniHub Installation

The following installation information is intended for the Hayward OmniLogic and OmniHub automation pool controls only. If installing the HL-CHEM with a Hayward ProLogic or AquaRite Pro, skip to page 19.

The HL-CHEM is an ORP and pH sensing kit that is offered as an accessory for all OmniLogic® and OmniHub pool automation controls. With the HL-CHEM, these controls can provide a fully integrated chemistry solution for your pool. The HL-CHEM continuously tests the pool's sanitization and pH levels allowing the OmniLogic/OmniHub to automatically generate the correct amount of chlorine and dispense the proper amount of pH reducer. Together, they provide an automated system controlling both sanitization and pH balance.

The HL-CHEM comes with two pigtails (120 VAC and 240 VAC) for connection to a pH reducing device like a peristaltic pump or solenoid valve (not included) that requires a line cord receptacle. For easy integration, Hayward offers the AQL-CHEM2 (120 VAC) and AQL-CHEM2-240 (240 VAC) CO₂ dispense kit that plugs into the pigtail and will reduce the pool's pH level by injecting CO₂ into the pool water.

What's Included

The HL-CHEM comes with everything needed to allow the OmniLogic/OmniHub to sense ORP and pH levels. The following is a description of the included components:

Professional Grade ORP probe - Samples water from the pool filtration system and sends signals to the control indicating the oxidation-reduction potential (redox) of the pool water. ORP is an actual measurement of sanitizer activity and bacteriological water quality rather than an expression of chemical residual levels. ORP is not fooled by the effects of pH, TDS (total dissolved solids) and other factors giving a more accurate measurement of the effectiveness of chlorine and water quality.

Professional Grade pH probe - Samples water from the pool filtration system and sends signals to the control indicating the acidity of the water. When used with a Hayward AQL-CHEM2 or other pH dispensing device, the control can keep the pool water's pH level balanced.

Probe Cell - The Probe Cell is used to house the probes and provide a location for water collection and testing. Two hoses are provided to connect the Probe Cell to the supply and return sides of the pool filtration system. The Probe Cell can be mounted directly to the OmniLogic or remote mounted in the vicinity of the control (restricted by the length of the probe wiring). OmniHub requires remote mounting of the HL-CHEM.

pH Dispense Pigtails - The pH Dispense pigtails provide a plug-in receptacle for the AQL-CHEM2, AQL-CHEM2-240 or other pH related dispensing device (peristaltic pumps, solenoid valves, etc.) that will be controlled by the OmniLogic or OmniHub.

Various Hardware - The HL-CHEM includes the necessary tubing, tubing connectors and mounting hardware to complete the installation.



HAYWARD®

Compatibility

The HL-CHEM is compatible with OmniLogic and OmniHub pool controls that utilize the latest firmware revisions. Go to the product page on Hayward's website to download the latest firmware. Refer to your product's manual for instructions on how to upgrade firmware.

An AQL-CL chemistry kit (electrolytic cell and flow switch) must be used with the OmniLogic if automatic chlorine generation is desired. If chlorine generation is desired for OmniHub, a Hayward AquaRite chlorine generator must be installed. The AquaRite must be connected and controlled by the OmniHub. Refer to your OmniHub manuals for more information.

Installation

DANGER of Death, Injury or Property Damage if procedure not followed. This accessory connects beneath the OmniLogic's dead front or beneath the OmniHub's cover. Power to the OmniLogic and OmniHub **MUST** be shut off before the dead front or cover is removed. This means a complete shutdown of power to the entire control.

Overview

Installing the HL-CHEM requires the following steps:

- Mounting the Probe Cell
- Plumbing the Probe Cell
- Installing ORP and pH probes
- Wiring probes to Probe Cell communication box
- Wiring the Probe Cell to the control
- Wiring the pH Dispense Pigtail to the control
- Configuring the control
- Validating Operation
- Establishing Maintenance Schedule

Materials Needed for Installation

- 7/16" drill bit
- 1/4" NPT tap
- Two small adjustable wrenches if side mounting to OmniLogic
- 3/16" drill bit if side mounting to OmniLogic
- Deburring tool or file if side mounting
- Mounting hardware if surface mounting (not side mounting)
- Flex tubing cutter
- Water-tight strain relief for dispense pigtail
- Flathead screwdriver and mallet to remove knock-out and install strain relief
- 120 VAC Ground Fault Circuit Breaker (GFCB) for powering 120 VAC dispense pigtail or 240 VAC (GFCB) for powering 240 VAC dispense pigtail
- Extra wire, wire strippers, and wire nuts could be helpful in some installations
- Any items that would be required for wiring and installation per local code

Before carrying out any part of the installation, you **MUST** power down the OmniLogic/OmniHub control. If the pool filter pump is not powered from the control, it **MUST** be powered down separately. This will relieve pressure in the pool filtration system.



HAYWARD®

Mounting the Probe Cell

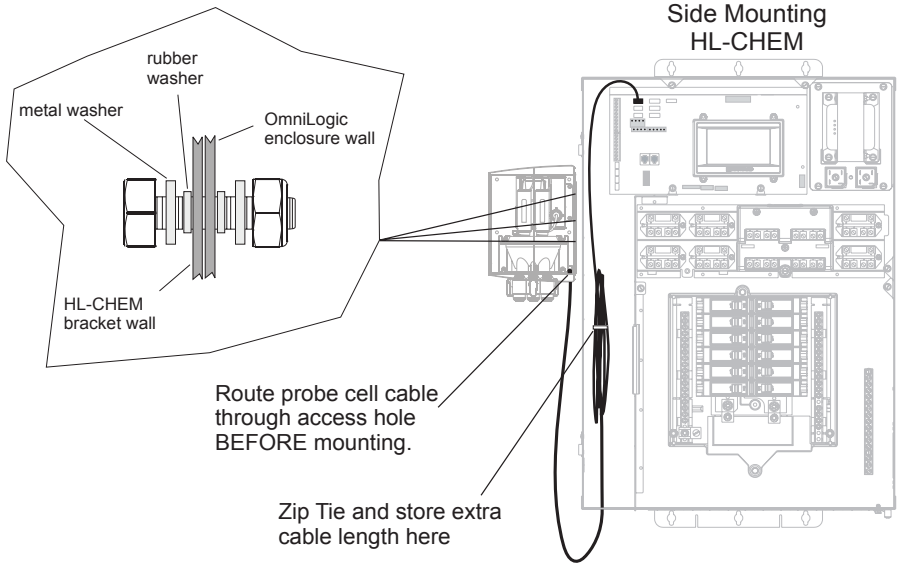
The Probe Cell can be mounted directly on the side of the OmniLogic or mounted up to 15' away (limited by length of Probe Cell cable). The OmniHub does not offer side mounting. When mounting remotely, take into account the amount of cable needed to route through the OmniLogic or OmniHub.

The key to successful Probe Cell installation is in the plumbing. A pressure differential is required to allow clean, untreated water to pass through the cell and across the probes. Consider this when looking for an ideal mounting location.

Side Mounting: Side mounting the HL-CHEM will require drilling 3 mounting holes through the "dimples" found on the side of the OmniLogic enclosure. Refer to the diagram and steps below.

OmniLogic power must be shut off before the enclosure can be drilled.

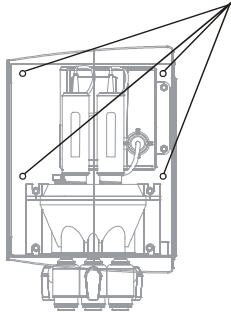
- 1) Remove door and front panel.
- 2) Use a 3/16" dia. drill bit and drill through the three "dimples" on the side of the enclosure. Take care that any wires behind the enclosure wall are clear and will not be damaged by the drill bit.
- 3) After the holes are drilled, grind or file down any burrs and brush away any metal chips.
- 4) Route Probe Cell cable through access hole at bottom of Probe Cell mounting bracket.
- 5) Use the included stainless steel hardware to fasten the HL-CHEM to the OmniLogic as shown below.





HAYWARD®

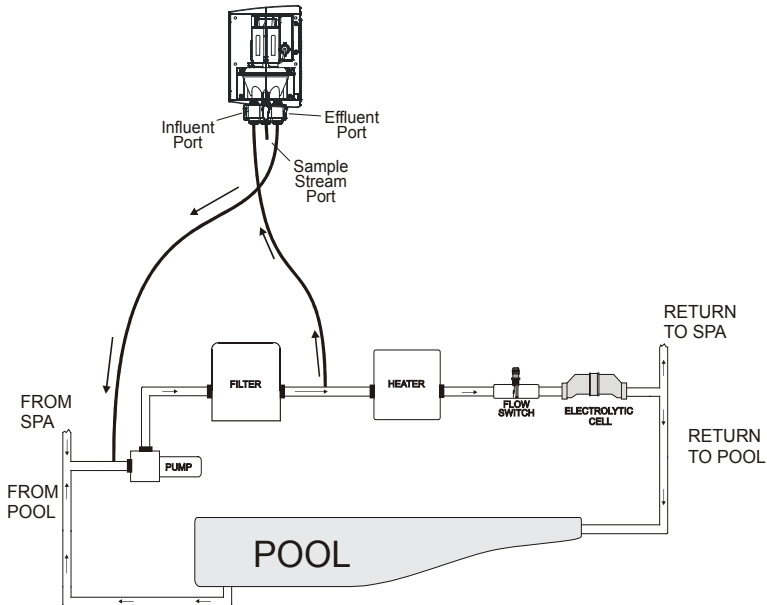
Surface mounting: The Probe Cell can be mounted up to 15' away from the OmniLogic or Omni-Hub (limited by length and routing of cable). Use the four mounting holes on the back of the bracket when surfacing mounting. Common wood screws can be used for most applications.



Use remote mounting holes when surface mounting.

Plumbing the Probe Cell to the pool plumbing

The Probe Cell requires connection to the pool plumbing using the supplied flex tubing. Two ports on the Probe Cell, influent and effluent, are connected to the supply and return sides of the pool plumbing. Refer to diagram below as well as the instructions.



Drill and tap a 1/4" NPT hole using a 7/16" drill bit on the return side of the pool plumbing at a location just downstream of the filter, but upstream from the AQL-CL or AquaRite's Electrolytic Cell. Use caution not to tap tapered threads too deeply. Using teflon plumber's tape, install a tubing connector into the hole. Run flex tubing from the tubing connector to the influent Probe Cell port. Push the flex tubing all the way into the pressure fitting to seat.



HAYWARD®

Drill and tap another $\frac{1}{4}$ " NPT hole on the supply side of the pool plumbing. Use caution not to tap tapered threads too deeply. Using teflon plumber's tape, install the remaining tubing connector and run flex tubing to the effluent Probe Cell port. Push the flex tubing all the way into the pressure fitting to seat.

Cut a 3" length of flex tubing and insert it into the sample stream port. This port can be used to draw water samples if needed.

If flex tubing needs to be replaced, use only $\frac{3}{8}$ " UV-resistant cross-linked polyethylene tubing (PEX).

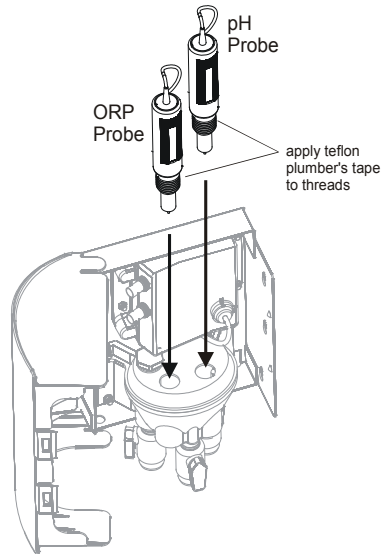
Installing ORP and pH probes to the Probe Cell

The ORP and pH probes are shipped "wet" in plastic storage caps. It's very important that the probes remain wet at all times. If the probes are allowed to dry out, they will fail and the HL-CHEM will be ineffective. After installation, the Probe Cell will ensure that the probes are constantly exposed to pool water. During periods when the filter pump is off (even extended periods), there should be sufficient moisture remaining in the Probe Cell to ensure that the probes are protected.

Remove the ORP and pH probes from their plastic storage caps and save the caps for future use. To ensure that the probes continue to remain wet, fill the Probe Cell with pool water before installing the probes. Apply a length of plumber's tape to the probe threads. Hand-tighten the probes only. At startup, check for leaks. If probe leaks, do not tighten more—instead remove and re-apply new Teflon tape.

Wiring the probes to the Probe Cell

Both probes must be wired to the communication box within the Probe Cell. The probe cables use typical BNC connectors that attach to the designated connectors on the communication box. Refer to the label on the communication box for the appropriate connections. Push the connectors in and turn clockwise until locked. After connecting, route the wires in a manner where they will not interfere with the door of the Probe Cell. Save BNC connector protective covers for future use.

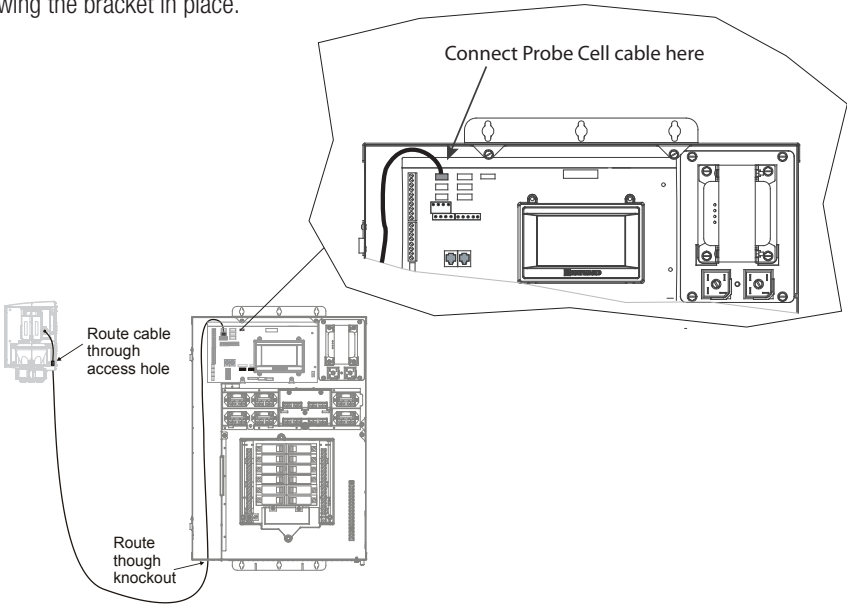




HAYWARD®

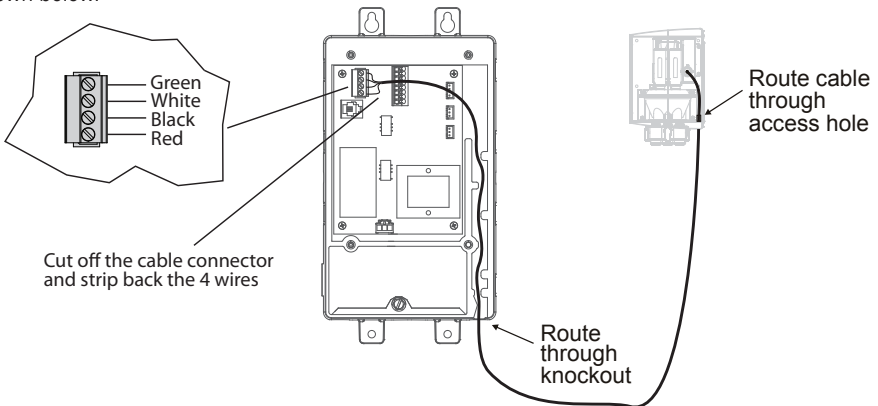
Wiring the Probe Cell to the OmniLogic

With power off to the OmniLogic, remove the dead front to expose the main board. Route the Probe Cell cable through an available knockout, along the low voltage channel and make the proper connection to the low speed RS-485 bus (4 pin connector) as shown below. When side mounting the Probe Cell, route the cable through the access hole at the bottom of the mounting bracket BEFORE screwing the bracket in place.



Wiring the Probe Cell to the OmniHub

For the OmniHub, the connector at the end of the Probe Cell cable must be cut off. Strip back the cable jacket and strip each conductor end, leaving about 1/4" bare wire. Run the cable through a knockout and the low voltage channel. Attach the four colored conductors to the screw terminal as shown below.





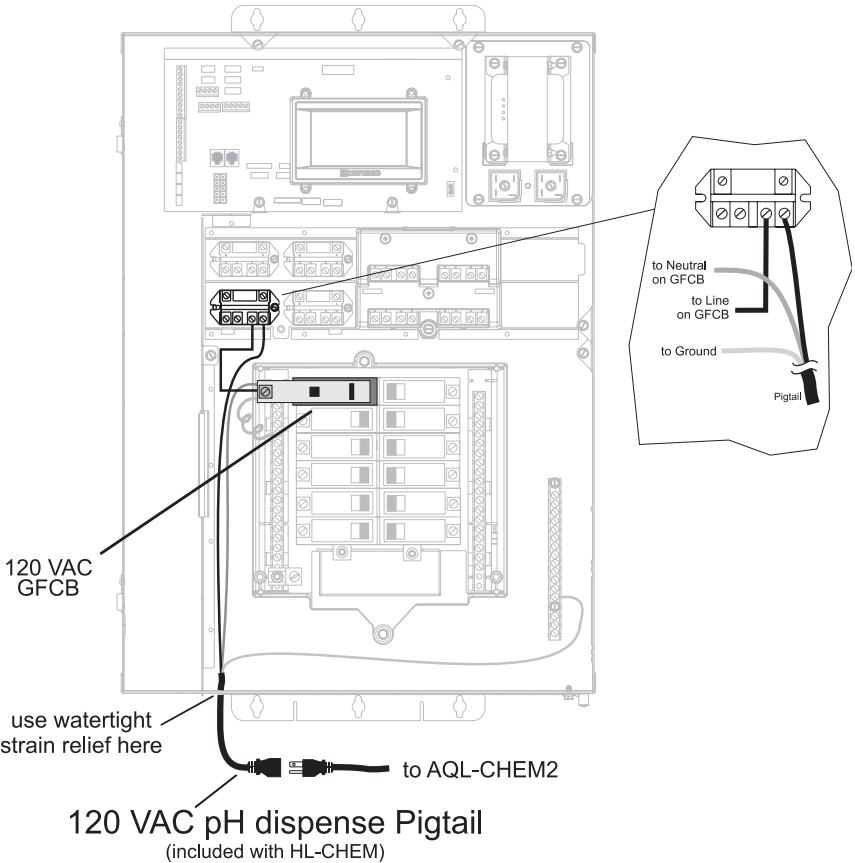
HAYWARD®

Wiring the Pigtail or pH Dispensing Device to OmniLogic

Two pigtails (120 VAC and 240 VAC) are included with the HL-CHEM sensing kit to be used with pH dispensing devices (peristaltic pumps, solenoid valves, etc.) that require a plug-in receptacle, including the Hayward AQL-CHEM2 and AQL-CHEM2-240. If your pH dispensing device will be direct wired (hard wired), the pigtail is not necessary.

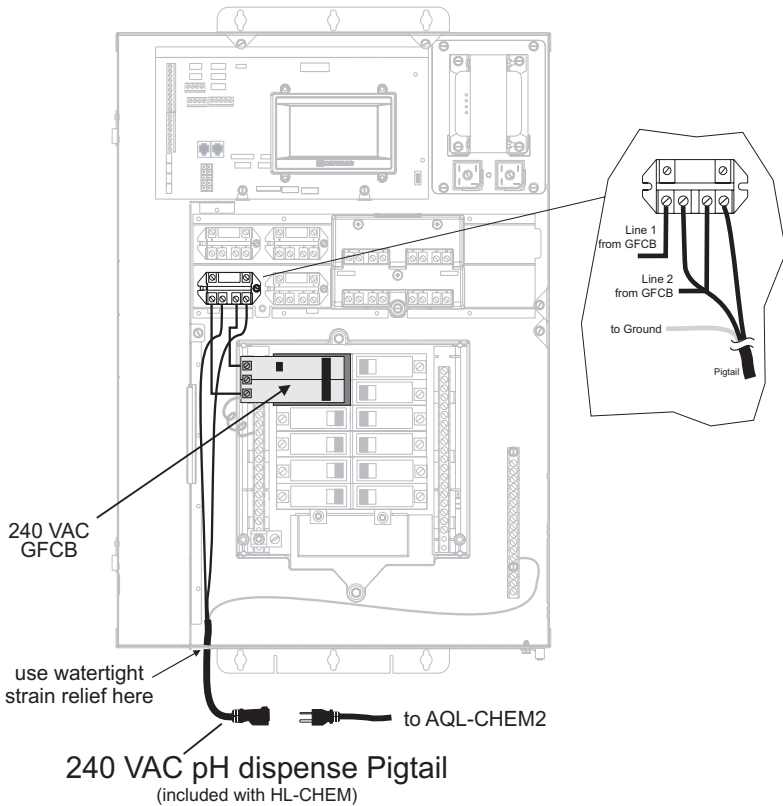
WARNING: Follow local codes for pigtail installation. Installation may require retrofitting a weather-tight outlet and plug to the pigtail and dispense hardware (such as Cooper WaterTight or similar connectors) or weather proof junction box.

NOTE: The OmniLogic can use either a 120 VAC or 240 VAC pH dispensing device. Wire the pigtail or device directly to any of the OmniLogic relays. Provide the proper input voltage to the line side of the relay. For 120 VAC, refer to the diagram below. For 240 VAC, refer to the diagram on page 9.





HAYWARD®



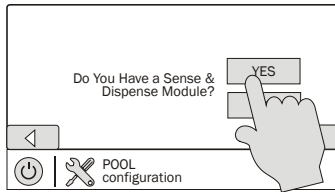
Wiring the Pigtail or pH Dispensing Device to OmniHub

Refer to your OmniHub Installation manual for information on wiring high voltage devices. A Smart Relay will be used for each high voltage pigtail or device that is being controlled. Refer specifically to the load wiring instructions in the OmniHub Installation manual.

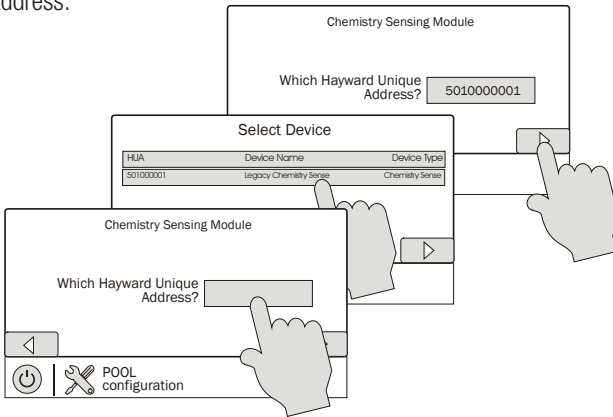
Configuring the OmniLogic or OmniHub

After the HL-CHEM is mounted, plumbed and wired, the OmniLogic or OmniHub must be configured to use the HL-CHEM.

Replace the dead front/cover and then restore power to the OmniLogic or OmniHub. Enter the CONFIGURATION WIZARD or QUICK EDIT and advance through the menus until you see the screen on the top of page 10.



After selecting "Yes", the HL-CHEM will be automatically discovered and you'll be prompted to select a unique address.



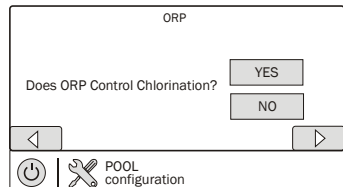
Pressing the box will bring you to a table which shows a list of connected devices. Selecting the HL-CHEM from this table will automatically configure the OmniLogic or OmniHub to use the proper address.

The HL-CHEM is now ready to be configured. You'll be presented with a series of screens that will require you to input desired operating parameters and settings. Refer to the related information on the following pages as you progress through the screens.

ORP Control

For ORP control, a Hayward AQL-CL Salt Chlorination Kit (if using OmniLogic) or AquaRite (if using OmniHub), a liquid chlorine dispenser or tablet feeder must be used. A flow switch must be installed.

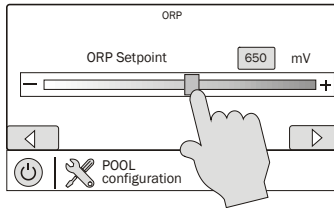
If "Yes" is selected: You'll automatically be asked to configure ORP settings. The OmniLogic/OmniHub refers to the ORP level in the pool and automatically adjusts chlorine output to maintain the desired level.



If "No" is selected and automatic chlorination is used: After answering "No", you'll be asked if a TurboCell for salt water chlorination will be used. Answer "Yes" to this if using an AQL-CL or AquaRite and you'll be prompted to enter a run time %. The OmniLogic/OmniHub will generate chlorine for this % of time during the filter cycle. Chlorine output is based on this manual setting only. ORP level is not used to control the chlorinator output.

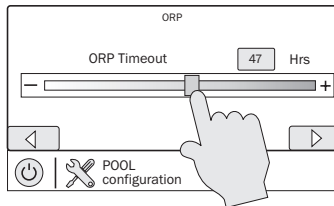
ORP Setpoint

Refer to "Controlling ORP with the OmniLogic/OmniHub" on page 16 for tips on determining the ORP setpoint (650mV default). The HL-CHEM will measure the pool's ORP and generate/dispense more or less chlorine to maintain the setpoint setting. Note that the control will attempt to maintain this level but typically the pool's ORP level will vary above this value during normal operation. The adjustable range is from 400mV to 900mV in 5mV increments.



ORP Timeout

To protect the pool, the OmniLogic/OmniHub control will automatically shut down ORP control and display an alarm if the HL-CHEM runs continuously for more than the selected timeout value. This prevents a situation where the control is constantly feeding chlorine because of a probe error or external problem with the pool. It allows the pool owner to evaluate the pool chemistry before continuing with ORP control. Select the desired timeout value.

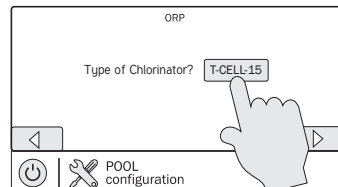


Type of Chlorinator

Select the Hayward TurboCell model, liquid chlorinator or tablet feeder that is installed in your system. A flow switch must be installed when using a chlorinator. For OmniLogic, the TurboCell is connected directly. For OmniHub, the TurboCell is connected to the AquaRite. Both can use the following models:

- T-CELL-15 - select when using T-CELL-15 (inc. with AQL-CL), GLX-CELL-15-W
- T-CELL-9 - select when using T-CELL-9, GLX-CELL-9-W
- T-CELL-5 - select when using GLX-CELL-5, GLX-CELL-5-W
- T-CELL-3 - select when using T-CELL-3, GLX-CELL-3-W

NOTE: Use of a non-genuine Hayward replacement salt chlorination cell on any Hayward automation or chlorination product will void the warranty for that product and could potentially damage the unit.

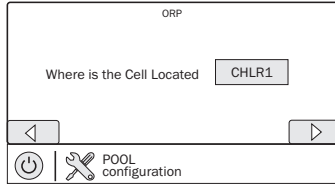




HAYWARD®

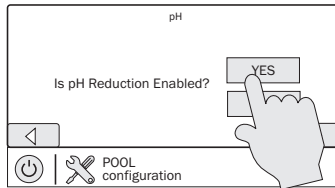
Select relay, valve or TurboCell location depending on your type of chlorinator

Like the HL-CHEM, the liquid chlorinator relay, tablet feeder valve or TurboCell will automatically be sensed and you will be prompted to make the proper selection. Follow the same procedure as shown on page 10.



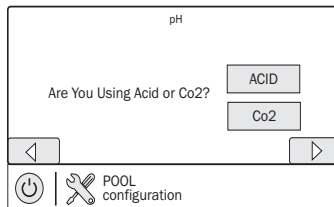
pH Control

If automatic pH reduction is desired, a dispensing device must be connected to one of the relays in the OmniLogic/OmniHub. If so, select "Yes" and configure pH reduction with the following screens.



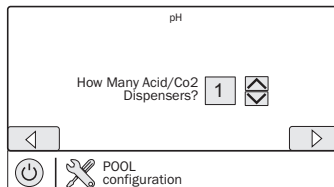
Acid or CO₂

Select the type of pH reduction that will be used.



Number of Dispensers

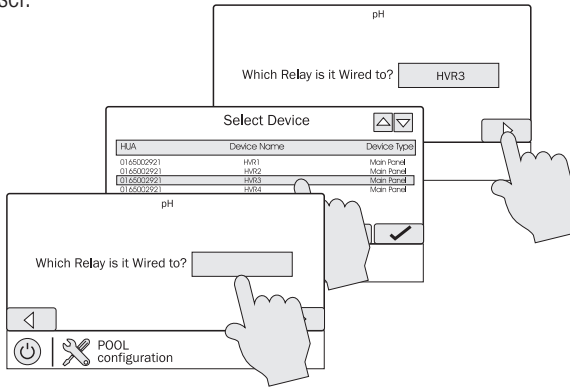
Select the number of dispensers that are wired to the OmniLogic/OmniHub.





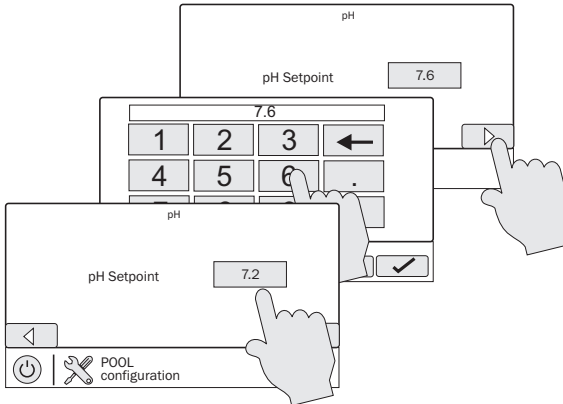
Relay Device Name

Configure the OmniLogic/OmniHub to use the acid or CO₂ dispenser by selecting the relay that is wired to the dispenser.



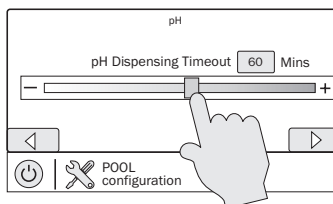
pH Setpoint

Enter the desired pH level. The control will dispense CO₂ or acid when necessary to maintain this level. The adjustable range is from 7 to 8 in 0.1 increments.



pH Timeout

To protect the pool, the control will automatically shut down pH control and display an alarm if the HL-CHEM runs continuously for more than the selected timeout value. This prevents a situation where the OmniLogic/OmniHub is constantly feeding acid or CO₂ because of a probe error or external problem with the pool. It allows the pool owner to evaluate the pool chemistry before continuing with pH control. The selectable range is 1-120 minutes.

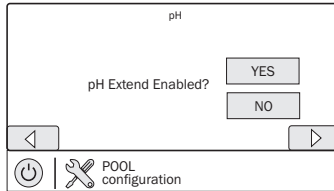




HAYWARD®

pH Extend

When pH Extend is enabled, the control will keep the pool filter pump on regardless of its timer settings until the pH level is within its programmed parameters. The pump will continue to run and acid or CO₂ will continue to dispense until the programmed levels are reached. When the pH level reaches the setpoint, the pump will be allowed to go back to automatic control.



Operation

Before operating the HL-CHEM, test and adjust the pool water chemistry to the recommended levels shown in the OmniLogic or AquaRite Owner's Manuals. This is an important step and is crucial to the successful operation of the HL-CHEM. If using salt chlorination, adjust salt to recommended levels.

Alarms

After exiting the CONFIGURATION WIZARD, alarms for both ORP and pH will be enabled. To view alarms, click on the ALARM button found in the FAVORITES. Refer to the OmniLogic/OmniHub manual for more information about alarms.

ORP Alarm

The control will automatically set a high and low alarm for the ORP level. The high alarm point is 850mV and the low alarm point is 350mV. If the ORP level meets or exceeds these points, an alarm message will display locally and on all remote controls. Also, if the ORP level is too high, chlorine generation will shut down.

pH Alarm

The control will automatically set a high and low alarm for the pH level. The high alarm point is 8.1 and the low alarm point is 6.9.

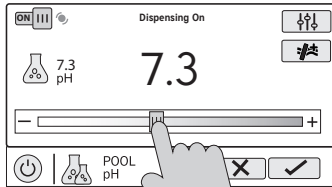


Settings

Although initial settings were entered during configuration, changes may be desired as pool conditions change. To quickly display and change settings, select the desired Body of Water at the HOME SCREEN then go to the SETTINGS SCREEN. Select the following:



pH



Only appears in Service Mode

pH Setting Adjust setpoint from 7.0 to 8.0.

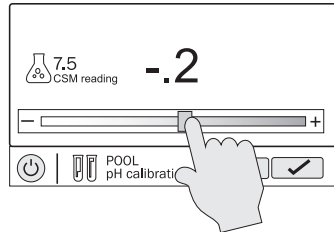
On/Off Enable and disable pH dispensing.



pH Calibration should take place at initial setup and periodically when the pH reading doesn't match tested values.

To calibrate the pH probe, test the pH of the pool water with a dependable quality test kit after the pool pump has been running for a period of time. Hayward suggests that you take more than one test and average the results before using the value to calibrate. Compare this result to the current pH reading and enter the offset amount. If the tested value is lower than the current reading, the offset will be negative. If greater, the offset will be positive. Refer to the example below.

Current pH reading: 7.5.
Average of tested readings: 7.3.
Offset: $7.3 - 7.5 = -.2$



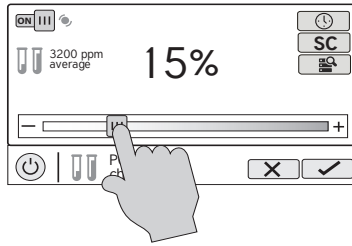
This button only appears in Service Mode. pH reducer is added for 15 minutes regardless of pH level and then automatically goes to Auto Sensing mode. This mode is helpful when setting up and testing the AQL-CHEM2(-240) or other automatic dispenser.



HAYWARD®



chlorinator



ORP Setting

If ORP controls chlorination (page 10), adjust setpoint from 400mV to 900mV. If ORP does not control chlorination, adjust from 0% to 100%.

On/Off

Enable and disable ORP sensing and chlorine generation.

Schedule

Enable and disable chlorine generation based on time. You can set a unique schedule for the chlorinator that will override filter pump settings. See the OmniLogic/OmniHub manual for details on how to create schedules.

SC

Superchlorinate allows you to select a continuous run time for maximum chlorination. Select a run time between 0-96 hours. The control will override pump schedules and generate chlorine continuously for this amount of time.



Displays electrical diagnostics for the TurboCell.

Controlling ORP with the OmniLogic and OmniHub controls

Follow these steps to adjust the desired ORP level:

1. **IMPORTANT:** Balance the pool water to the ideal levels shown in the OmniLogic or AquaRite manuals, including pH, total alkalinity, cyanuric acid, hardness and salt level.
2. Adjust the chlorine to the ideal level as well; e.g. 1-3 ppm free chlorine. This chlorine level is what we want to maintain.
3. After allowing the system to run for 30-60 minutes, observe what the Sense and Dispense system reports as the pool water ORP level.
4. Set the ORP setpoint setting to this reported ORP level.
5. Monitor the free chlorine and ORP every day for 1 week. If adjustments to the ORP setpoint are needed, make adjustments in increments of 10 or 20 mV units—**LARGE ADJUSTMENTS OF THE ORP SETPOINT SHOULD NOT BE NECESSARY IF YOU STARTED WITH A BALANCED POOL THAT HAD THE PROPER AMOUNT OF FREE CHLORINE.**
6. If the system is not stabilizing (or does not seem to be stabilizing) there are 3 things you can do:
 - a. Clean the probe
 - b. Rebalance the pool—including the free chlorine level
 - c. Check for combined chlorine—if high (>0.5ppm), shock treat with chlorine or non-chlorine shock



HAYWARD®

Controlling pH with the OmniLogic and OmniHub

Plaster pools and pools serviced by salt-chlorine generators typically cause a slow pH rise which must be managed. With the Sense and Dispense technology, CO₂ or acid is dispensed into the filter system's return water as needed until the pH probe reports proper pH level.

The Hayward AQL-CHEM2(-240) are CO₂ dispensing systems that eliminate the need to handle acid and are economical and efficient methods for effective pH control. When the CO₂ gas is injected into water, it dissolves and becomes carbonic acid, a weak acid that is very effective at lowering pH but becomes self-limiting if over-fed.

CAUTION: IF YOU CHOOSE AN ACID FEEDER FOR pH CONTROL, additional safety precautions are required to ensure that an equipment malfunction is detected. Great care must be taken when installing, maintaining and operating acid pump feed systems. Acid is dangerous to handle, and will harm people and equipment if not properly contained, transported, poured, stored, and dispensed.

CAUTION: Equipment failure can potentially cause too much acid to be dispensed into the water, causing an equipment and health hazard which would not be detectable without the use of independent pH measurement.

- Always use a 4:1 dilution in the acid feed system.
- **CAUTION:** To prevent a violent reaction, **ALWAYS ADD ACID TO WATER**, never add water to acid to dilute it. Some use the rhyme "Remember, do as you oughta- add acid to water"
- Strictly follow the acid vendor's safety and handling protocols including hand, body and eye protection when transferring or handling acid.
- Choose a 5 gallon per day acid feed pump to keep flow rate low.
- Limit the available acid reservoir to 1 gallon per 15,000 gallons of water. This limits the available acid in the event that equipment malfunctions and empties the tank into the pool or spa.
- Only a properly installed and maintained system will control the pH and sanitizer levels of the water.
- **WARNING:** If acid is not diluted properly or the feed pump is oversized, it will overshoot the pH correction.
- At least monthly, use an independent pH and chlorine test kit to verify that pH and chlorine are at a safe level. If the probes are broken, depleted, dirty, fouled with oils, lotions, or other contaminants, they can report inaccurate result to the system causing incorrect water chemistry, which at worst, could harm people or equipment.
- Check the control's display each day before entering the water. If there is an alarm, follow the troubleshooting guide to understand and rectify the condition. If the display is blank, or reporting a communications error, troubleshoot the equipment and rectify the failure before entering the water.
- Follow the installation checklist to verify proper operation upon installation and at the beginning of each pool season.



HAYWARD®

Maintenance

Water Chemistry

Always test water chemistry with a quality manual test kit. The HL-CHEM provides instrument grade accuracy which exceeds that of most liquid-standard water testing kits. Therefore, it may be preferable to calibrate pH using commercially available reference solutions. Calibrate pH periodically using the method described earlier in this manual. It's important to note that changes in pH, cyanuric acid concentration, total dissolved solids, and use of additional or alternative sanitizers will all affect the primary sanitizer residual level relative to ORP. Maintain total alkalinity on a regular basis to ensure pH stability. To maintain a consistent sanitizer residual in parts per million (ppm), periodically adjust the ORP level.

Probe Maintenance

The probes must be clean and free from oil, chemical deposits and contamination to function properly. After saturation in pool or spa water, the probes may need to be cleaned on a weekly or monthly basis depending on bather load and other pool specific characteristics. Slow response, increased need to calibrate pH, and inconsistent readings are indications that the probes are in need of cleaning.

To clean the probes without running the Wizard, turn off input power to the control. Disconnect the probe connectors from the communication box, unscrew the probe and carefully remove them from the Probe Cell. Clean the reference junction (the white ring at the bottom of the probe body) with a soft toothbrush and regular tooth paste. A household liquid dishwashing detergent may also be used to remove any oil. Rinse with fresh water, replace teflon tape on threads and reinstall probes. If properly cleaned probes continue to provide unstable readings or require excessive calibration, the probes should be replaced.

Probe Storage

Exposure to atmospheric conditions will cause the probe tips to dry out. Store the probes with the included plastic probe storage caps if removed from the Probe Cell for more than one hour. If the storage caps have been misplaced, store the probes individually in small glass or plastic containers with clean water covering the probe tips. Store probes in a location that will not be subjected to freezing temperatures.

Winterizing

The HL-CHEM probes must be protected from freezing conditions. If the pool is winterized, plan to remove and store the probes (as described above) as part of the normal pool winterizing process. The Probe Cell and related plumbing must be drained as well. BNC connectors should be capped with the original protective covers. A winterizing kit with probe caps, BNC covers, and other necessary winterizing accessories is available to replace any missing items. Contact your local Hayward dealer for more information.



HAYWARD®

ProLogic and AquaRite Pro Installation

The following installation information is intended for the Hayward ProLogic or AquaRite Pro only. If installing the HL-CHEM with a Hayward OmniLogic, refer to page 2.

Description

The HL-CHEM is an ORP and pH sensing kit that is offered as an accessory for all Hayward AquaRite Pro chlorine generators and ProLogic pool controls. With the HL-CHEM, the AquaRite Pro or ProLogic can provide a fully integrated chemistry solution for your pool. The HL-CHEM continuously tests the pool's sanitation and pH levels allowing the AquaRite Pro or ProLogic to automatically generate the correct amount of chlorine and dispense the proper amount of pH reducer. Together, they provide an automated system controlling both sanitization and pH balance.

The HL-CHEM comes with two pigtails (120VAC and 240VAC) for connection to a pH reducing device like a peristaltic pump or solenoid valve (not included) that requires a line cord receptacle. For easy integration, Hayward offers the AQL-CHEM2 (120VAC) and AQL-CHEM2-240 (240VAC) CO₂ dispense kit that plugs into the pigtail and will reduce the pool's pH level by injecting CO₂ into the pool water.

What's Included

The HL-CHEM comes with everything needed to allow the AquaRite Pro or ProLogic to sense ORP and pH levels. The following is a description of the included components:

Professional Grade ORP probe- Samples water from the pool filtration system and sends signals to the AquaRite Pro or ProLogic indicating the oxidation-reduction potential (redox) of the pool water. ORP is an actual measurement of sanitizer activity and bacteriological water quality rather than an expression of chemical residual levels. ORP is not fooled by the effects of pH, TDS (total dissolved solids) and other factors giving a more accurate measurement of the effectiveness of chlorine and water quality.

Professional Grade pH probe- Samples water from the pool filtration system and sends signals to the AquaRite Pro or ProLogic indicating the acidity of the water. When used with a Hayward AQL-CHEM2 or other pH dispensing device, the AquaRite Pro or ProLogic can keep the pool water's pH level balanced.

Probe Cell: The Probe Cell is used to house the probes and provide a location for water collection and testing. Two hoses are provided to connect the Probe Cell to the supply and return sides of the pool filtration system. The Probe Cell can be mounted directly to the AquaRite Pro/ProLogic or remote mounted in the vicinity of the control (restricted by the length of the probe wiring).

Additional ProLogic Relay: An additional relay (sold separately) is required for ProLogic PL-PS-4 and PL-P-4 models operating with software version less than 4.00. Refer to the ProLogic manual for instruction on how to determine your software revision. The additional relay allows the user to add the AQL-CHEM2 or other pH reducing device to these models. Install this relay only if you have one of these models and intend to add pH control.



HAYWARD®

pH Dispense Pigtails: The pH Dispense pigtails provide a plug-in receptacle for the AQL-CHEM2, AQL-CHEM2-240 or other pH related dispensing device (peristaltic pumps, solenoid valves, etc.) that will be controlled by the AquaRite Pro or ProLogic.

Various Hardware: The HL-CHEM includes the necessary tubing, tubing connectors and mounting hardware to complete the installation.

Compatibility

The HL-CHEM is compatible with all Hayward AquaRite Pro and ProLogic pool controls. An AQL-CL chemistry kit must be used with the ProLogic if automatic chlorine generation is desired. The HL-CHEM is not compatible with Aqua Rite or Aqua Logic controls.

Installation

Overview

Installing the HL-CHEM requires the following steps:

- Mounting the Probe Cell
- Plumbing the Probe Cell
- Installing ORP and pH probes
- Wiring probes to Probe Cell communication box
- Wiring the Probe Cell to the AquaRite Pro or ProLogic
- Wiring the pH Dispense Pigtail to the AquaRite Pro or ProLogic
- Configuring the AquaRite Pro or ProLogic
- Validating Operation
- Establishing Maintenance Schedule

Materials Needed for Installation

- 7/16" drill bit
- 1/2" NPT tap
- Two small adjustable wrenches if side mounting to AquaRite Pro or ProLogic
- 3/16" drill bit if side mounting to AquaRite Pro or ProLogic
- Deburring tool or file if side mounting
- Tape and scissors if side mounting to ProLogic (for drill template)
- Mounting hardware if surface mounting (not side mounting)
- Flex tubing cutter
- Water-tight strain relief for dispense pigtail
- Flathead screwdriver and mallet to remove knock-out and install strain relief
- 120VAC Ground Fault Circuit Breaker (GFCB) for powering 120VAC dispense pigtail or 240VAC (GFCB) for powering 240VAC dispense pigtail
- Extra wire, wire strippers, and wire nuts could be helpful in some installations
- Any items that would be required for wiring and installation per local code

IMPORTANT: Before carrying out any part of the installation, be sure to shut off input power to the AquaRite Pro or ProLogic. Turn off the pool filter pump, water features and any other related equipment. Relieve pressure from the pool filtration system.



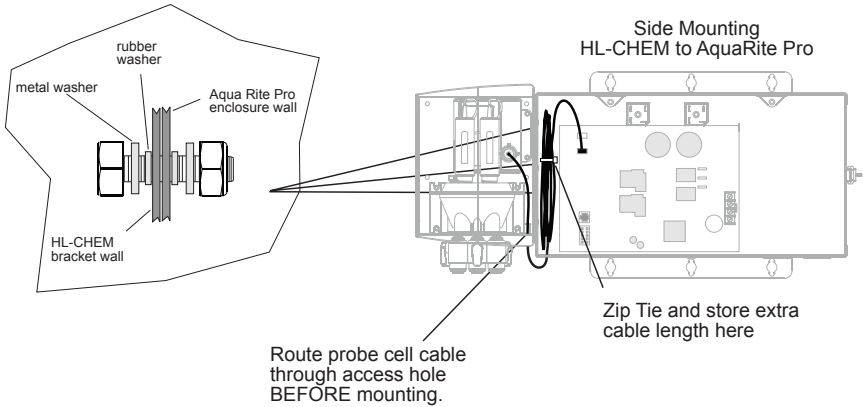
HAYWARD®

Mounting the Probe Cell

The Probe Cell can be mounted directly on the side of the AquaRite Pro/ProLogic or mounted up to 15' away (limited by length of Probe Cell cable). The key to successful Probe Cell installation is in the plumbing. A pressure differential is required to allow clean, untreated water to pass through the cell and across the probes. Consider this when looking for an ideal mounting location.

AquaRite Pro

Side mounting HL-CHEM to the AquaRite Pro: Side mounting the HL-CHEM will require drilling 3 mounting holes through the AquaRite Pro enclosure. Dimples have been pre-punched on the enclosure at the drilling location (template not needed). After drilling, be sure to remove any burrs and brush away any metal shavings. Route Probe Cell cable through the access hole at the bottom of the mounting bracket **BEFORE** screwing the bracket in place. For easiest installation, fasten the nylon lock nut loosely, then slip the bracket keyhole slots over the bolt head and tighten. After installation, coil excess cable in the AquaRite Pro enclosure. Refer to the diagram below.

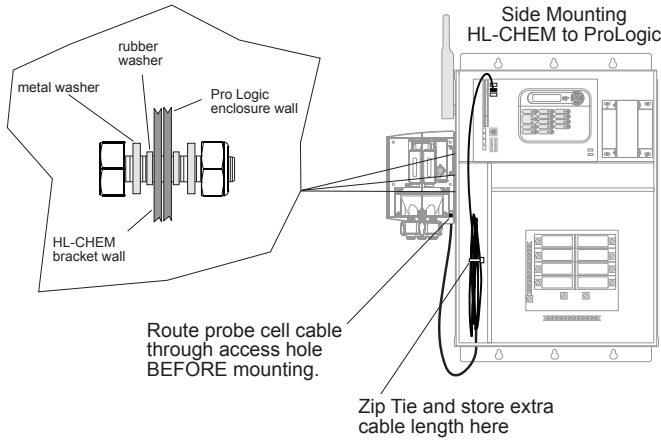




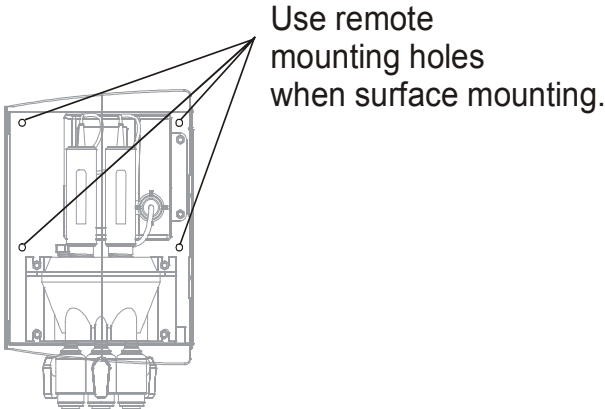
HAYWARD®

ProLogic

Side mounting HL-CHEM to ProLogic: Side mounting the HL-CHEM will require drilling 3 mounting holes through the dipples on the side of the ProLogic enclosure. Older enclosures may not have dipples and will require you to position the HL-CHEM against the ProLogic enclosure to provide a template for marking mounting holes. After drilling, be sure to remove any burrs and brush away any metal shavings inside the enclosure. Route Probe Cell cable through the access hole at the bottom of the mounting bracket **BEFORE** screwing the bracket in place. For easiest installation, fasten the nylon lock nut loosely, then slip the bracket keyhole slots over the bolt head and tighten. After installation, coil excess cable in the ProLogic enclosure. Refer to the diagram below.

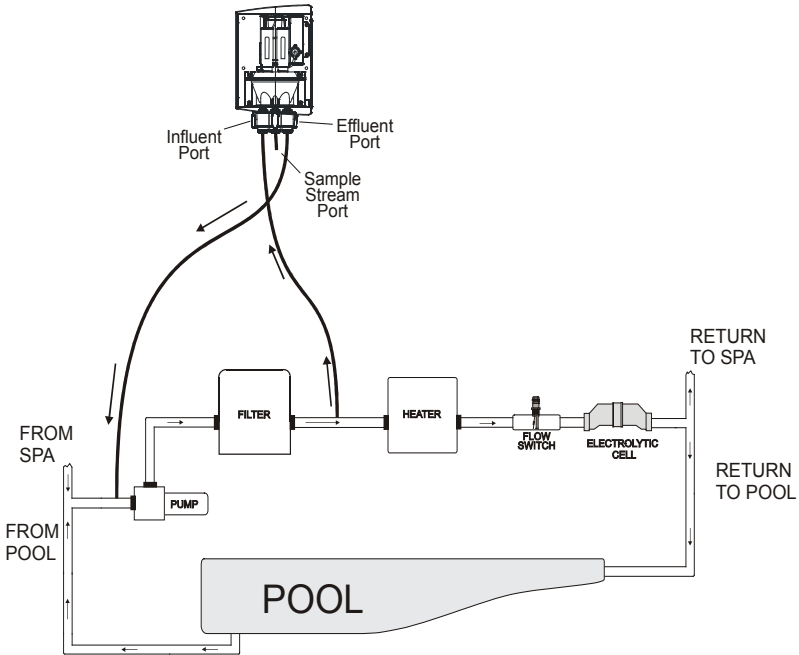


Remote surface mounting the HL-CHEM: The Probe Cell can be mounted up to 15' away from the AquaRite Pro or the ProLogic (limited by length of cable). Use the four mounting holes on the back of the bracket when surfacing mounting. Common wood screws can be used for most applications.



Plumbing the Probe Cell to the pool plumbing

The Probe Cell requires connection to the pool plumbing using the supplied flex tubing. Two ports on the Probe Cell, influent and effluent, are connected to the supply and return sides of the pool plumbing. Refer to the diagram below as well as the following steps:



Drill and tap a 1/2" NPT hole using a 7/16" drill bit on the return side of the pool plumbing at a location just downstream of the filter, but upstream from the AQL-CL Turbo Cell. Use caution not to tap tapered threads too deeply. Using teflon plumber's tape, install a tubing connector into the hole. Run flex tubing from the tubing connector to the influent Probe Cell port. Push the flex tubing all the way into the pressure fitting to seat.

Drill and tap another 1/2" NPT hole on the supply side of the pool plumbing. Use caution not to tap tapered threads too deeply. Using teflon plumber's tape, install the remaining tubing connector and run flex tubing to the effluent Probe Cell port. Push the flex tubing all the way into the pressure fitting to seat.

Cut a 3" length of flex tubing and insert it into the sample stream port. This port can be used to draw water samples if needed.

If flex tubing needs to be replaced, use only 3/8" UV-resistant cross-linked polyethylene tubing (PEX).

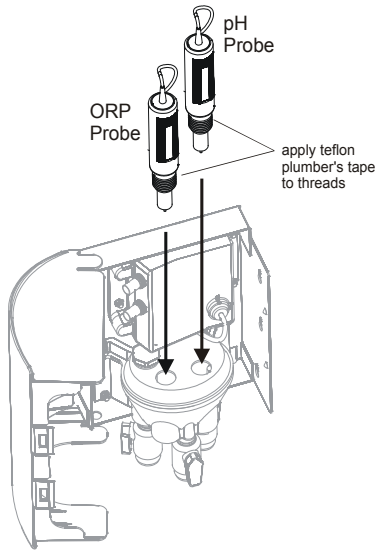


HAYWARD®

Installing ORP and pH probes to the Probe Cell

The ORP and pH probes are shipped "wet" in plastic storage caps. It's very important that the probes remain wet at all times. If the probes are allowed to dry out, they will fail and the HL-CHEM will be ineffective. After installation, the Probe Cell will ensure that the probes are constantly exposed to pool water. During periods when the filter pump is off (even extended periods), there should be sufficient moisture remaining in the Probe Cell to ensure that the probes are protected.

Remove the ORP and pH probes from their plastic storage caps and save the caps for future use. To ensure that the probes continue to remain wet, fill the Probe Cell with pool water before installing the probes. Apply a length of Teflon plumber's tape to the probe threads. Hand-tighten the probes only. At startup, check for leaks. If the probe leaks, do not tighten more—instead remove and re-apply new Teflon tape.



Wiring the probes to the Probe Cell

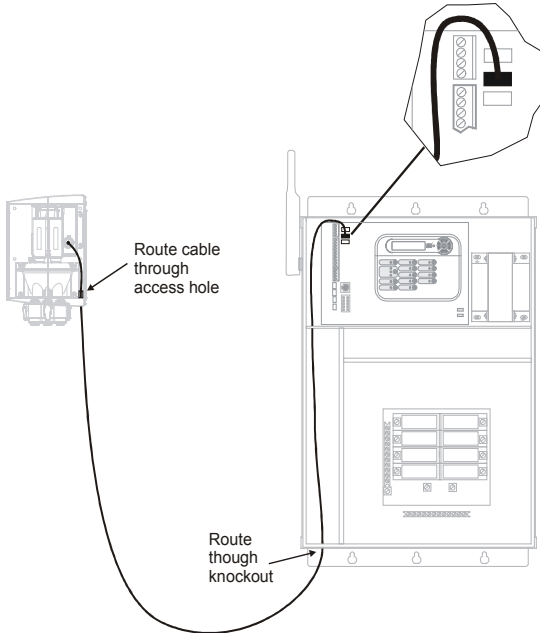
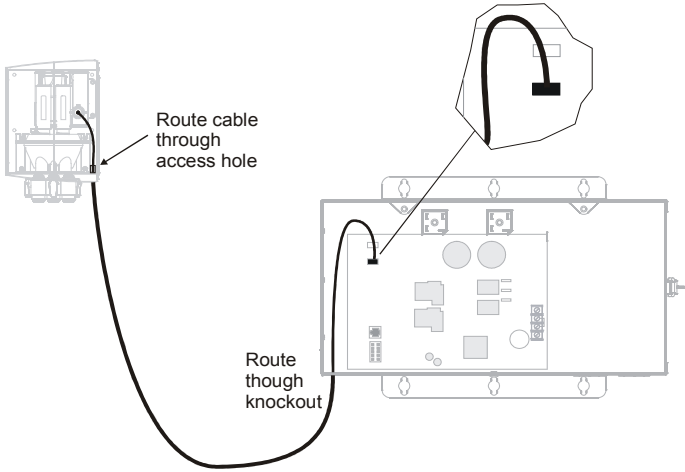
Both probes must be wired to the communication box within the Probe Cell. The probe cables use typical BNC connectors that attach to the designated connectors on the communication box. Refer to the label on the communication box for the appropriate connections. Push the connectors in and turn clockwise until locked. After connecting, route the wires in a manner where they will not interfere with the door of the Probe Cell. Save BNC connector protective covers for future use.



HAYWARD®

Wiring the Probe Cell to the AquaRite Pro or ProLogic

The Probe Cell is supplied with a 15' cable which connects to the circuit board of the AquaRite Pro or ProLogic. Route the cable through an available knockout and make the proper connection as shown below. When side mounting the Probe Cell, route the cable through the access hole at the bottom of the mounting bracket BEFORE screwing the bracket in place.





Wiring the Pigtail or pH Dispensing Device

Two pigtails (120VAC and 240VAC) are included with the HL-CHEM sensing kit to be used with pH dispensing devices (peristaltic pumps, solenoid valves, etc.) that require a plug-in receptacle, including the Hayward AQL-CHEM2 and AQL-CHEM2-240. If your pH dispensing device will be direct wired (hardwired), the pigtail is not necessary. Note that the AquaRite Pro can control a 120VAC or a 240VAC pH related dispensing device. The ProLogic can only be used with 120VAC devices.

NOTE: Follow local codes for pigtail installation. Installation may require retrofitting a weather-tight outlet and plug to the pigtail and dispense hardware (such as Cooper WaterTight or similar connectors) or weather proof junction box.

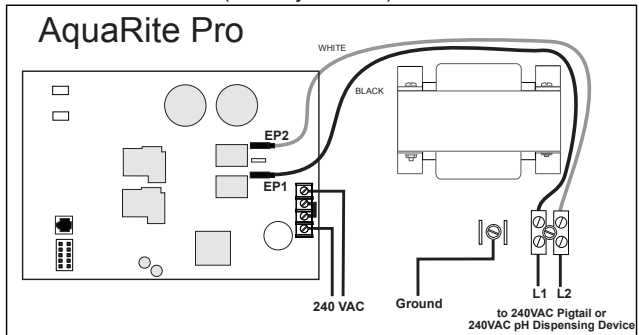
A screw terminal block located inside of the AquaRite Pro enclosure is provided for connection to the pigtail or pH dispensing device. If connecting to a ProLogic, the 120VAC pigtail or 120VAC direct wired pH dispensing device will connect to one of the internal relays. If using a P-4 or PS-4 operating software version less than 4.00, the relay that is supplied with the HL-CHEM must be installed and used for connection to the 120VAC pigtail or direct wired device.

Refer to the following information and diagrams for proper wiring of the pigtail or direct wired device.

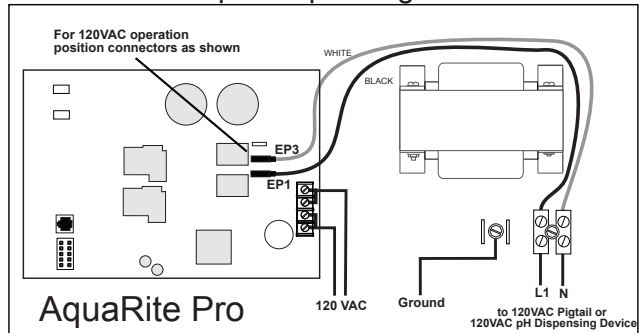
AquaRite Pro

IMPORTANT: Input power to the AquaRite Pro must be provided by a GFCB (Ground Fault Circuit Breaker).

240VAC pH Dispensing Device (Factory Default)



120VAC pH Dispensing Device





HAYWARD®

IMPORTANT: The dispensing device must be powered by the same voltage used to power the AquaRite Pro. Configure the output voltage to the pH device by moving the wiring connections on the mainboard according to the diagrams above.

Example of AQL-CHEM2-240 used with AquaRite Pro: The AquaRite Pro must be powered by 240VAC. Connect the 240VAC pigtail supplied with the HL-CHEM to the AquaRite Pro's terminal block as shown in the diagram above. The AQL-CHEM2-240 will then plug into the pigtail's 240VAC receptacle.

ProLogic

NOTE: The ProLogic can only be used with a 120VAC pH dispensing device. There are two ProLogic versions that require different installation techniques. ProLogics operating with a software version less than 4.00 require the pigtail or pH dispensing device to be connected to an internal relay. Units using version 4.00 or later have a dedicated pH output through screw terminals mounted on the inside of the enclosure. Refer to the instructions that relate to your particular version.

ProLogic operating with software version less than 4.00

The 120VAC pigtail or 120VAC direct wired device is wired directly to one of the ProLogic relays. The particular relay used will depend on the ProLogic model and the auxiliary outputs that are already in use.

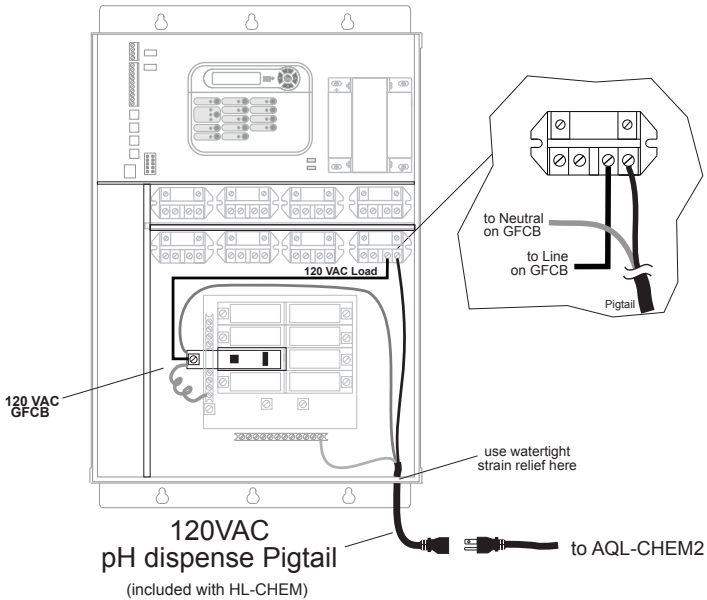
ProLogic P-4 and PS-4 models: Requires the installation of a GLX-RELAY (sold separately). A GLX-RELAY must be installed to control the pH dispensing device on these models. Installation instructions are packaged with the relay. Once installed, wire the pigtail directly to this relay in a similar fashion to the diagram below. If a direct wired device will be used, wire directly to this relay. The ProLogic's Aux3 output will automatically be used to control this relay and the dispensing device.

ProLogic PS-8 and PS-16 models: Any available Aux or the Lights relay can be used. Locate a relay that is not already in use and wire the pigtail or direct wired device according to the diagram below. After configuration, the relay's corresponding Aux/Lights output will be used to control the dispensing device.

The diagram below shows a typical installation of the 120VAC pigtail connected to a ProLogic PS-8 relay. The ProLogic will control an AQL-CHEM2 that plugs into the pigtail. If a direct wired pH dispensing device will be used, disregard the pigtail and connect directly to the relay.

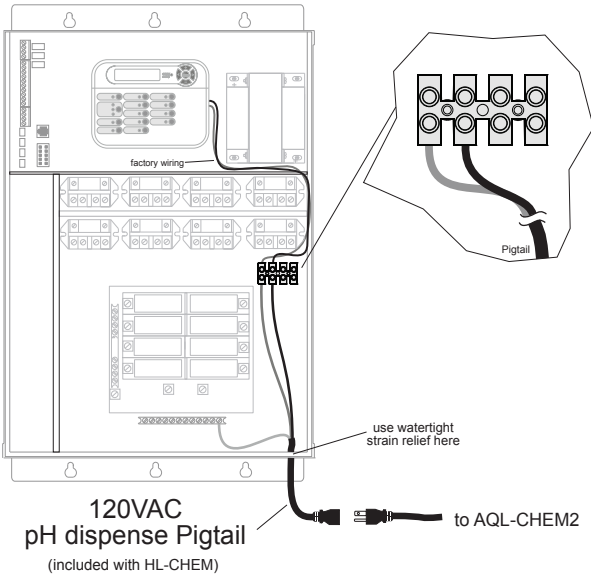


HAYWARD®



ProLogic operating with software version 4.00 or later

ProLogics operating with software version 4.00 or later have built-in support for the AQL-CHEM2 or other 120VAC pH dispensing devices. A screw terminal block mounted inside of the ProLogic enclosure offers a dedicated connection to the 120VAC pigtail or device. The diagram below shows typical wiring information for these ProLogic units.





HAYWARD®

Configuring the AquaRite Pro or ProLogic

After the HL-CHEM is mounted, plumbed and wired, the AquaRite Pro or ProLogic must be configured using the Chemistry Config. Wizard and pH Calibration Wizard. These wizards are found in the Settings Menu of the AquaRite Pro. For the ProLogic, the Chemistry Config. Wizard is found in the Configuration Menu and the pH Calibration Wizard is found in the Maintenance Menu.

If a pH dispensing device is used, the relay that is used to control the device must be configured. Refer to page 31 for detailed information.

Chemistry Config Wizard

The Chemistry Config Wizard will prompt the user for information and automatically configure the AquaRite Pro or ProLogic to use the HL-CHEM sensing kit. The procedure to perform the Wizard is shown below. Detailed information about specific screens relating to the configuration can be found on the following pages. To enter the Chemistry Config Wizard follow the steps below:

AquaRite Pro

1. Press the "Settings" button.
2. Press ">" repeatedly until "Chemistry Config. Wizard" is displayed.
4. Push "+" to start Wizard.
5. Advance through the Wizard using "<" and ">" buttons. Use "+" and "-" buttons to answer questions when prompted.
6. Continue until finished.

ProLogic

If the AQL-CL chlorination kit will be used, be sure that it is enabled BEFORE entering the Chemistry Config Wizard.

1. Press "Menu" until Configuration Menu is displayed.
2. Hold both "<" and ">" for three seconds.
3. Press ">" repeatedly until "Chemistry Config. Wizard" is displayed.
4. Push "+" to start Wizard.
5. Advance through the Wizard using "<" and ">" buttons. Use "+" and "-" buttons to answer questions when prompted.
6. Continue until finished.

Sensing System

Select Enable to configure the HL-CHEM.

pH Reduction Control

Select the desired option related to pH control.

Disabled pH control is turned off. Select this mode if no pH dispenser will be connected to the AquaRite Pro or ProLogic.

Auto Sensing Use this mode when an AQL-CHEM2(-240) kit or other type of automatic pH reducer will be used. The AquaRite Pro or ProLogic will dispense pH reducer (CO₂ or acid) when necessary to prevent the pH level from rising.



HAYWARD®

Forced On pH reducer is added for 15 minutes regardless of pH level and then automatically goes to Auto Sensing mode. This mode is helpful when setting up and testing the AQL-CHEM2(-240) or other automatic dispenser.

Select the desired option related to chlorine generation.

ORP Auto The AquaRite Pro or ProLogic refers to the ORP level in the pool and automatically adjusts chlorine output to maintain a desired level.

Timed (%) The chlorine output is based on the manual setting only. ORP level is not used to control the chlorinator output.

Maintain pH Level

The Wizard prompts you to enter the desired pH level (7.5 default). The AquaRite Pro or ProLogic will dispense CO₂ or other pH reducer when necessary to maintain this level. The adjustable range is from 7 to 8 in 0.1 increments. Enter the desired pH level.

pH Alarms

The AquaRite Pro or ProLogic will automatically set a high and low alarm for the pH level. The high alarm point is 8.1 and the low alarm point is 6.9. If the pH level meets or exceeds these points, a "Check System" message will display locally and on all remote displays.

pH Feed Timeout

To protect the pool, the AquaRite Pro or ProLogic control will automatically shut down pH control and display a "Check System" message if the AQL-CHEM2(-240) or other pH dispensing device runs continuously for more than the selected timeout value. This prevents a situation where the AquaRite Pro or ProLogic is constantly feeding pH reducer because of a probe error or external problem with the pool and allows the pool owner to evaluate the pool chemistry before continuing with pH control. Use the "+" and "-" buttons to select a preset timeout value from 5 to 120 minutes. If the AquaRite Pro or ProLogic exceeds this pH Feed Timeout, it can be reset in the Default Menu display.

Maintain ORP Level

The Wizard prompts you to enter the desired ORP level (650mV default). Note that the AquaRite Pro or ProLogic will attempt to maintain this level but typically the pool's ORP level will vary above this value during normal operation. The adjustable range is from 400mV to 900mV in 5mV increments.

ORP Alarms

The AquaRite Pro or ProLogic will automatically set a high and low alarm for the ORP level. The high alarm point is 850mV and the low alarm point is 350mV. If the ORP level meets or exceeds these points, an alarm message will display locally and on all remote controls. Also, if the ORP level is too high, chlorine generation will shut down.

Chemistry Extend (ProLogic only)

When the Chlorine Feed selection is set to ORP Auto Sensing and/or the pH Reduction Control selection is set to Auto Sensing, the ProLogic will keep the pool filter pump on regardless of its timer settings until the sanitizer level and/or pH level are within their programmed parameters. The pump will continue to run and either chlorine and/or CO₂ will continue to dispense until the programmed



HAYWARD®

levels are reached. When both sanitizer level and the pH level are within the desired levels, the pump will be allowed to go back to automatic control.

Sanitizer Feed Timeout

When the Chlorine Feed selection is set to ORP Auto Sensing, the AquaRite Pro or ProLogic control will automatically shut down ORP control and display an "ORP Timeout" message if the timeout value is exceeded (1-24 hours). This prevents a situation where the AquaRite Pro or ProLogic is constantly generating chlorine because of a probe error or external problem with the pool and allows the pool owner to evaluate the pool chemistry before continuing with ORP control. The timeout can be reset in the Default Menu display.

pH Calibration Wizard

After installation, the pH probe must be calibrated using the pH Calibration Wizard. Periodically, a pool water test should be compared to the pH level reported by the AquaRite Pro or ProLogic. If there is a discrepancy between the two values, the pH Calibration Wizard should be redone.

Run the pool pump for a minimum of 20 minutes before starting the pH Calibration Wizard. The procedure to perform the Wizard is shown below. Detailed information about specific screens can also be found below.

AquaRite Pro

1. Press the "Settings" button.
2. Press ">" repeatedly until "pH Calibration Wizard" is displayed.
3. Push "+" to start Wizard.
4. Advance through the Wizard using "<" and ">" buttons. Use "+" and "-" buttons to answer questions when prompted.
5. Continue until finished.

ProLogic

1. Press "Menu" until Maintenance Menu is displayed.
2. Press ">" repeatedly until "pH Calibration Wizard" is displayed.
3. Push "+" to start Wizard.
4. Advance through the Wizard using "<" and ">" buttons. Use "+" and "-" buttons to answer questions when prompted.
5. Continue until finished.

Enter Independent pH Test Result

Test the pH of the pool water with a dependable quality test kit after the pool pump has been running for a period of time. Hayward suggests that you take more than one test and average the results before entering the value in the pH Calibration Wizard. After entering the pH value, press the "+" button to calibrate the pH probe. A "Check System" warning will display if the probe value and the entered value are different by ± 1.0 or greater. If this is the case, retest the pH (possibly with another test kit) and consider cleaning the pH probe per the instructions found in the Probe Maintenance section of this manual.



Configuring the pH Dispense Relay (ProLogics operating with software version less than 4.00)

IMPORTANT: The relay used to control the AQL-CHEM2(-240) or other pH dispensing device needs to be configured properly to prevent accidental release of CO₂ or acid into the pool water. Determine which relay is being used (this is the relay that the pigtail or 120VAC pH dispensing device is connected to). Follow the configuration procedure found in the ProLogic Installation and Operation manuals under Configuration Menu to set the function of this relay to "pH Dispense". An example of this (using Aux1) is shown below. Note that PL-P-4 and PL-PS-4 models will require the additional relay to be installed and automatically use Aux 3.

Aux1 Config. + to view/change	+ Push to access Aux options <> Move to previous/next configuration menu
Aux1 Name Aux 1	+ Rotates between all available names <> Move to next menu item
Aux1 Function pH Dispense	+ Rotates between Manual On/Off (default), Countdown Timer, Low Speed-Filter Timeclock, Solar, Low speed-Spa Filter, Group & Super Chlorinate, and pH Dispense <> Move to next menu item

Caution: Be certain to verify that the proper relay has been used and configured for pH.

- Verify proper relay operation by using the pH Reduction CTRL set to "Forced on"
- Observe that the relay immediately turns on and applies power to the CO₂ feed solenoid or acid dispense pump
- Once this is verified, set pH Reduction CTRL back to AUTO

As a last check for proper configuration, push the corresponding output button for the pH Dispensing device. The device SHOULD NOT TURN ON. If it does, go back through the configuration to determine the problem.

Operation

Before operating the HL-CHEM, test and adjust the pool water chemistry to the recommended levels in the AquaRite Pro or ProLogic Operation manuals. This is an important step and is crucial to the successful operation of the HL-CHEM. Adjust salt to recommended levels if using an AquaRite Pro or a ProLogic with an AQL-CL chlorination kit.

Controlling ORP with the AquaRite Pro or ProLogic

Follow these steps to set the desired ORP level:

1. **IMPORTANT:** Balance the pool water to the ideal levels shown in the AquaRite Pro or ProLogic manuals, including pH, total alkalinity, cyanuric acid, hardness and salt level.
2. Adjust the chlorine to the ideal level as well; e.g. 1-3 ppm free chlorine. This chlorine level is what we want to maintain.
3. After allowing the system to run for 30-60 minutes, observe what the Sense and Dispense system reports as the pool water ORP level.
4. Set the ORP setpoint to this reported ORP level.
5. Monitor the free chlorine and ORP everyday for 1 week. If adjustments to the ORP set point are needed, make adjustments in increments of 10 or 20 mV units - LARGE ADJUSTMENTS



HAYWARD®

OF THE ORP SETPOINT SHOULD NOT BE NECESSARY IF YOU STARTED WITH A BALANCED POOL THAT HAD THE PROPER AMOUNT OF FREE CHLORINE.

6. If the system is not stabilizing (or does not seem to be stabilizing) there are 3 things you can do:
 - a. Clean the probe
 - b. Rebalance the pool - including the free chlorine level
 - c. Check for combined chlorine - if high (>0.5ppm), shock treat with chlorine or non chlorine shock.

Controlling pH with the AquaRite Pro or ProLogic

Plaster pools and pools serviced by salt chlorine generators typically cause a slow pH rise which must be managed. With the Sense and Dispense technology, CO₂ or acid is dispensed into the filter system's return water as needed until the pH probe reports proper pH level.

Hayward strongly recommends CO₂ injection instead of acid feed systems for pH control of residential pools. Both systems are effective at reducing pH, but CO₂ is much safer to handle and store. The Hayward AQL-CHEM2(-240) are CO₂ dispensing systems that eliminate the need to handle acid and are economical and efficient methods for effective pH control. When the CO₂ gas is injected into water, it dissolves and becomes carbonic acid, a weak acid that is very effective at lowering pH but becomes self limiting if over-fed.

IF YOU CHOOSE AN ACID FEEDER FOR pH CONTROL, additional safety precautions are required to ensure that an equipment malfunction is detected. Great care must be taken when installing, maintaining and operating acid pump feed systems. Acid is dangerous to handle, and will harm people and equipment if not properly contained, transported, poured, stored, and dispensed.

CAUTION: Equipment failure can potentially cause too much acid to be dispensed into the water, causing an equipment and health hazard which would not be detectable without the use of independent pH measurement.

- Always use a 4:1 dilution in the acid feed system.
- To prevent violent boiling and splashing, ALWAYS ADD ACID TO WATER, never add water to acid to dilute it. Some use the rhyme "Remember, do as you oughta- add acid to water".
- Strictly follow the acid vendor's safety and handling protocols including hand, body and eye protection when transferring or handling acid.
- Choose a 5 gallon per day acid feed pump to keep flow rate low.
- Limit the available acid reservoir to 1 gallon per 15,000 gallons of water. This limits the available acid in the event that equipment malfunctions and empties the tank into the pool or spa.
- Only a properly installed and maintained system will control the pH and sanitizer levels of the water.
- If acid is not diluted properly or the feed pump is oversized, it will overshoot the pH correction.
- Periodically use an independent pH and chlorine test kit to verify that pH is at a safe level, and that chlorine is at a safe level. If the probes are broken, depleted, dirty, fouled with oils, lotions, or other contaminants, they can report inaccurate result to the system causing incorrect water chemistry, which at worst, could harm people or equipment.
- Check the AquaRite Pro or ProLogic's display each day before entering the water. If there is any Check System alarm, following the troubleshooting guide in this manual to understand



HAYWARD®

and rectify the condition. If the display is blank, or reporting a communications error, troubleshoot the equipment and rectify the failure before entering the water.

- Follow the installation checklist to verify proper operation upon installation and at the beginning of each pool season.

Normal Operation

During normal operation, the HL-CHEM will sense ORP and pH, requiring no user input. The current ORP and pH levels will periodically be shown on the display. Pushing the "<" or ">" buttons will advance you to this display quickly. For the ProLogic, this information can also be found within the Diagnostic Menu.

The desired ORP and pH levels can be changed by restarting the Chemistry Config. Wizard.

Maintenance

Water Chemistry

Always test water chemistry with a quality manual test kit. The HL-CHEM provides instrument grade accuracy which exceeds that of most liquid-standard water testing kits. Therefore, it may be preferable to calibrate pH using commercially available reference solutions. Calibrate pH periodically using the pH Calibration Wizard as described earlier in this manual. It's important to note that changes in pH, cyanuric acid concentration, total dissolved solids, and use of additional or alternative sanitizers will all affect the primary sanitizer residual level relative to ORP. Maintain total alkalinity on a regular basis to ensure pH stability. To maintain a consistent sanitizer residual in parts per million (ppm), periodically adjust the ORP level.

Probe Maintenance

The probes must be clean and free from oil, chemical deposits and contamination to function properly. After saturation in pool or spa water, the probes may need to be cleaned on a weekly or monthly basis depending on bather load and other pool specific characteristics. Slow response, increased need to calibrate pH, and inconsistent readings are indications that the probes are in need of cleaning.

To clean the ORP and pH probes, run the Clean Probe Wizard within the Settings Menu on the AquaRite Pro or the Maintenance Menu on the ProLogic. This Wizard will walk the user through the probe cleaning process. Answer the questions when prompted, and follow the instructions for proper cleaning.

To clean the probes without running the Wizard, turn off input power to the AquaRite Pro or ProLogic. Disconnect the probe connectors from the communication box, unscrew the probe and carefully remove them from the Probe Cell. Clean the reference junction (the white ring at the bottom of the probe body) with a soft toothbrush and regular tooth paste. A household liquid dish-washing detergent may also be used to remove any oil. Rinse with fresh water, replace teflon tape on threads and reinstall probes. If properly cleaned probes continue to provide unstable readings or require excessive calibration, the probes should be replaced.



HAYWARD®

Probe Storage

Exposure to atmospheric conditions will cause the probe tips to dry out. Store the probes with the included plastic probe storage caps if removed from the Probe Cell for more than one hour. If the storage caps have been misplaced, store the probes individually in small glass or plastic containers with clean water covering the probe tips. Store probes in a location that will not be subjected to freezing temperatures.

Winterizing

The HL-CHEM probes must be protected from freezing conditions. If the pool is winterized, plan to remove and store the probes (as described above) as part of the normal pool winterizing process. The Probe Cell and related plumbing must be drained as well. BNC connectors should be capped with the original protective covers. A winterizing kit with probe caps, BNC covers, and other necessary winterizing accessories is available to replace any missing items. Contact your local Hayward dealer for more information.



HAYWARD®



HAYWARD®



HAYWARD®

LIMITED WARRANTY (effective 03/01/12) Hayward warrants its Pro Logic, OnCommand and E-Command pool automation products as well as its Aqua Rite, Aqua Rite Pro, Aqua Plus and SwimPure chlorination products to be free of defects in materials and workmanship, under normal use and service, for a period of three (3) years. Hayward also warrants its Aqua Trol chlorination products to be free of defects in materials and workmanship, under normal use and service for a period of one (1) year. These warranties are applicable from the initial date of purchase on private residential swimming pools in the US and Canada. Installations of product for use on commercial pools in the US and Canada is covered for a period of one (1) year for defects in materials and workmanship. Hayward warrants all accessories and replacement parts for the above-identified pool automation and chlorination products for a period of one (1) year. Accessories also include remotes, actuators, base stations, temperature sensors, flow switches and chemistry probes. Each of these warranties is not transferable and applies only to the original owner.

Hayward shall not be responsible for cartage, removal, repair or installation labor or any other such costs incurred in obtaining warranty replacements or repair.

Proof of purchase is required for warranty service. If written proof of purchase is not provided, the manufacturing date code will be the sole determinant of the date of installation of the product. To obtain warranty service or repair, please contact the place of purchase or the nearest Hayward authorized warranty service center. For more information on authorized service centers please contact the Hayward Technical Service Support Center (61 Whitecap Road, North Kingstown RI, 02852) or visit the Hayward web site at www.hayward.com.

WARRANTY EXCLUSIONS:

1. Material supplied or workmanship performed by others in process of installation.
2. Damage resulting from improper installation including installation on pools larger than the product rating.
3. Problems resulting from failure to install, operate or maintain the product(s) in accordance with the recommendations contained in the owners manual(s).
4. Problems resulting from failure to maintain pool water chemistry in accordance with the recommendations in the owners manual(s).
5. Problems resulting from tampering, accident, abuse, negligence, unauthorized repairs or alternations, fire, flood, lightning, freezing, external water, degradation of natural stone used in or immediately adjacent to a pool or spa, war or acts of God.
6. Use of a non-genuine Hayward replacement salt chlorination cell on any Hayward automation or chlorination product will void the warranty for that product.

The express limited warranty above constitutes the entire warranty of Hayward Pool Products with respect to its products and is in lieu of all other warranties expressed or implied, including warranties of merchantability or fitness for a particular purpose. In no event shall Hayward Pool products be responsible for any consequential, special or incidental damages of any nature. Some states do not allow a limitation on how long an implied warranty lasts, or the exclusion of incidental or consequential damages, so the above limitation may not apply to you. This warranty gives you specific legal rights, and you may also have other rights, which vary from state to state.

For further information or consumer
technical support, visit our website at
www.hayward.com



Hayward is a registered trademark and OmniLogic, ProLogic, AquaRite Pro and Sense and Dispense are trademarks of Hayward Industries, Inc. © 2018 Hayward Industries, Inc.

All other trademarks not owned by Hayward are the property of their respective owners. Hayward is not in any way affiliated with or endorsed by those third parties.

USE ONLY HAYWARD GENUINE REPLACEMENT PARTS