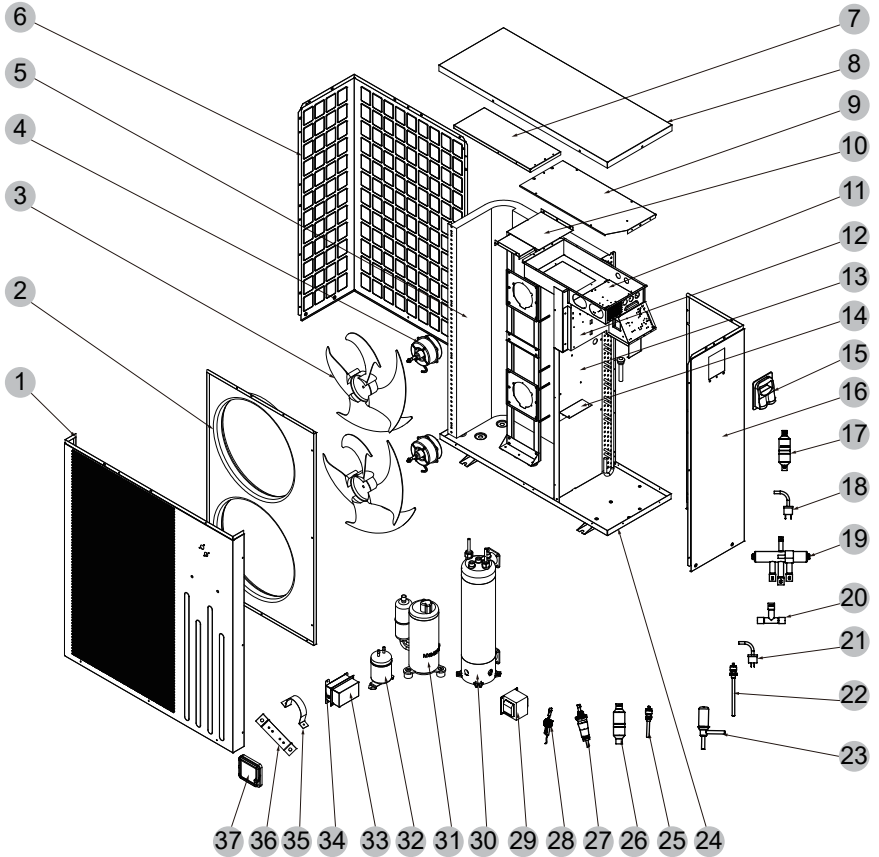


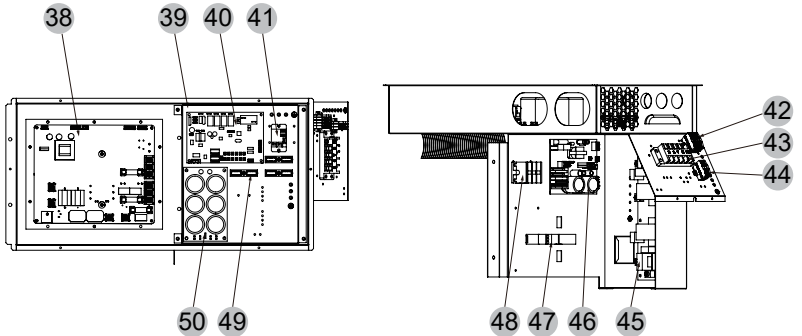
Exploded Diagram

Model and code: (PASRW070S-P-BP4-D9-AT 1H-PASRW070EE35)

1 Complete machine structure explosion diagram



2 Electrical control structure explosion diagram



Exploded Diagram

No.	Code	Name	Specifications	Qty
1	807000007265	Front panel	Matte Black 9005	1
2	807000007266	Wind Deflector	Glossy Black 9005	1
3	20000-270004	Fan blade	Z500-145	2
4	20000-330132	DC Fan motor	ZWS75-A	2
5	80600112	Fin heat exchanger	714×353×1200/Φ7×0.33/2.5/2.0	1
6	807000007264	Back Guard	Matte Black 9005	1
7	80700400	Top and Middle Crossbeam	Glossy Black 9005	1
8	807000007268	Top Cover	Matte Black 9005	1
9	80700407	Support Plate	Glossy Black 9005	1
10	80700399	Fan motor bracket assembly	Glossy Black 9005	1
11	80700409	Electrical Box Assembly	Glossy Black 9005	1
12	80700411	Electrical Box Assembly	Glossy Black 9005	1
13	80700403	Median septum	Glossy Black 9005	1
14	32019-210074	Support Plate	Glossy Black 9005	1
15	32009-220029	Junction Box	ABS	1
16	807000007267	Right Side Panel	Matte Black 9005	1
17	20000-140027	Filter	Φ12.9-Φ12.9(Φ28) T2Y2	1
18	20000-360157	Pressure switch	0.30MPa/0.15MPa ±0.05	1
19	2001-1491	4 way valve assembly	DSF-20-R410A	1
20	2000-1460	3-way valve	Φ6.5-2×Φ6.5(T)×0.75 T2M	2
21	2001-3605	Pressure switch	3.2MPa/4.4MPa ±0.15	1
22	20000-140512	Valve	95mm 7/16"	1
23	20000-140401	Electronic expansion valve	DPF(TS1)3.0C-01	1
24	807000007262	Chassis Assembly	Matte Black 9005	1
25	20000-140150	Valve	40mm 1/2"	2
26	2004-1444	Filter	Φ9.7-Φ9.7(Φ28) T2Y2	1
27	81900012	Needle Valve Non-Return Air Door Core	2680002-01	1
28	83000069	Flow switch	PSL-1 3/4 1500GS	1
29	20000-370030	Reactor	R3005RJC-1	1
30	72300027	Titanium heat exchanger	Φ16×16m Φ160	1
31	301010-00000006	Compressor	MVB42FCBMC-L	1
32	20000-140579	Liquid storage tank	TY-20-SX	1
33	80714913	Explosion-proof box	Glossy Black 9005	1
34	807000007715	Explosion-proof box assembly	Glossy Black 9005	1

