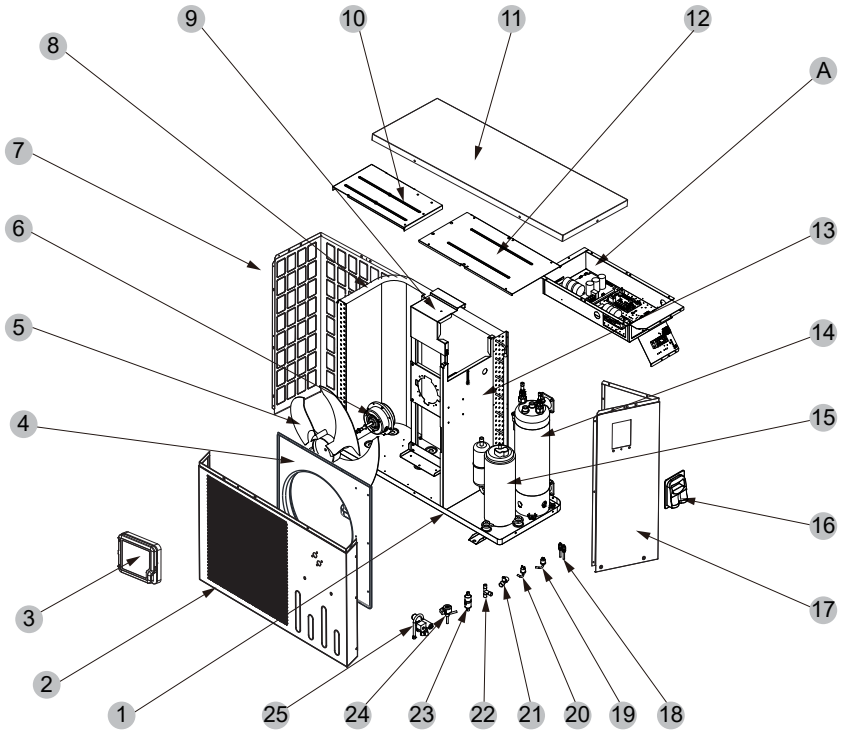


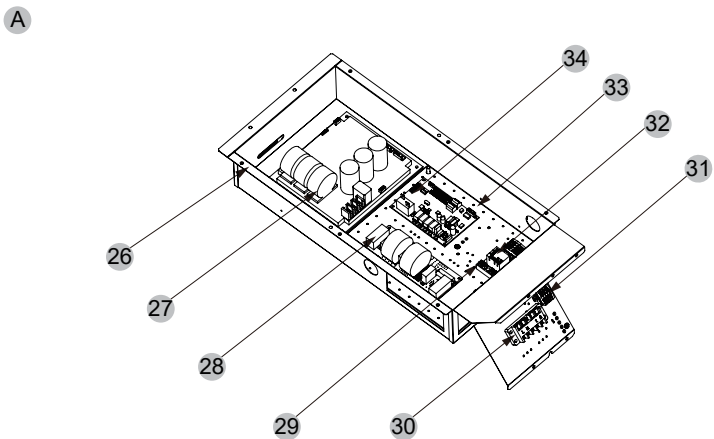
Exploded Diagram

Model and code: (PASRW060-P-BP6III-AT 1H-PASRW060EE24)

1 Complete machine structure explosion diagram



2 Electrical control structure explosion diagram



Exploded Diagram

No.	Code	Name	Specifications	Qty
1	807000007341	Chassis assembly	Black 9005	1
2	807000007349	Front cabinet	Black 9005	1
3	20000-220068	Water proof box	PC	1
4	807000007367	Wind board	Black 9005	1
5	80300078	Axial Flow Fan Blade	$\Phi 551 \times 160 - \Phi 12(10) \times 4$	1
6	20000-330309	Dc Fan Motor	ZWS150-F2	1
7	807000007350	Fin heat exchanger protective net	Black 9005	1
8	80601367	Fin heat exchanger	$714 \times 353 \times 800 \times \Phi 7 \times 2.5 \ 2.0$	1
9	80712877	Fan motor bracket assembly	Black 9005	1
10	807000008528	Top plate	Black 9005	1
11	807000007352	Top cover	Black 9005	1
12	80713852	Electrical box cover	Black 9005	1
13	807000007354	Median septum	Black 9005	1
14	72300134	Titanium heat exchanger	$\Phi 16 \times 7.3m + \Phi 12.7 \times 4.7m \ \Phi 160$	1
15	80100069	Rotary Compressor	9VD330XAB21	1
16	32009-220029	Junction Box	Black ABS	1
17	807000007351	Right panel	Black 9005	1
18	20000-140150	Needle Valve	40mm 1/2"	2
19	2001-3605	Pressure switch	$3.2MPa/4.4MPa \pm 0.15$	1
20	20000-360157	Pressure switch	$0.30MPa/0.15MPa \pm 0.05$	1
21	304030-00000002	3 way valve	$\Phi 9.52-2 \times \Phi 6.35(T) \times 1.0$	1
22	2000-1460	3 way valve	$\Phi 6.5-2 \times \Phi 6.5(T) \times 0.75 \ T2M$	2
23	2004-1444	Filter	$\Phi 9.7- \Phi 9.7 (\Phi 28) \ T2Y2$	2
24	20000-140575	Electronic expansion valve	DPF(B)3.0C-013	1
25	2004-1437	4 way valve assembly	DSF-11E-1030	1
26	80712873	Electrical Box Assembly	black 9005	1
27	82300341	Inverter Driver Module	S.HPD120C.1	1
28	82300342	Filter board	S.EMC.HPD120C.1	1
29	2000-3909	Terminal Block	RS9211(450V~4mm2)	1
30	4000-3901	Terminal Block	RS9101(450V~4mm2)(L、N、PE、1、2)	1
31	/	Terminal Block	20000-390049/20000-390048/20000-390047/20000-390046	1
32	20000-360297	Relay	HATF903AS30AC220 AC220V 30A	1
33	80713856	Liner Plate	DX51D+Z80/t1	1

