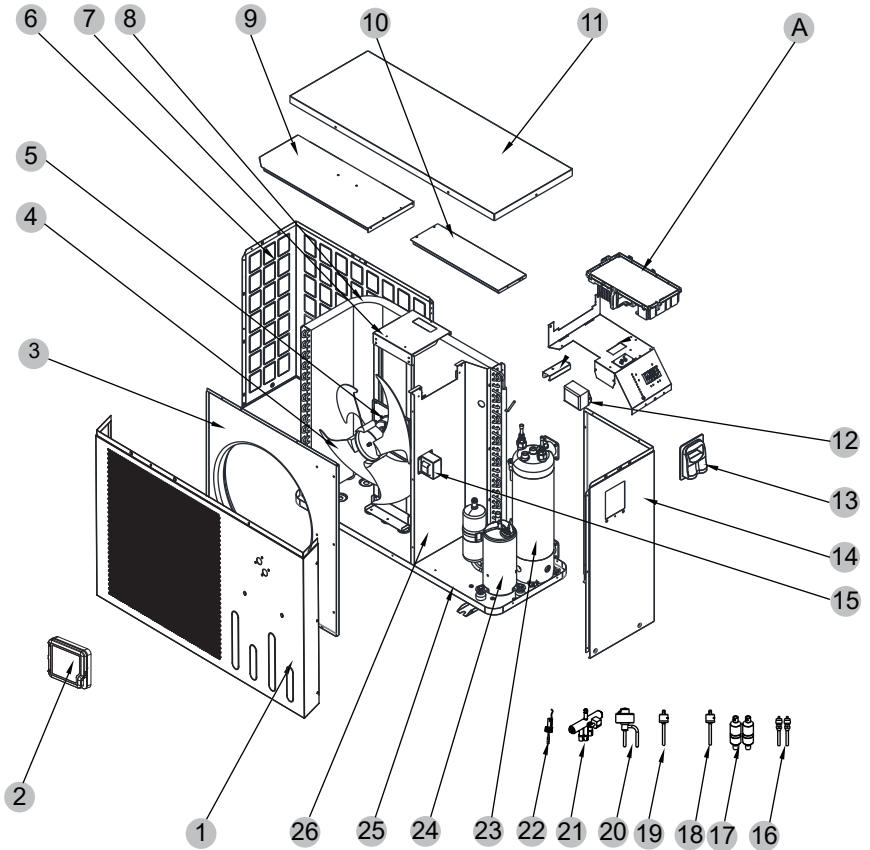


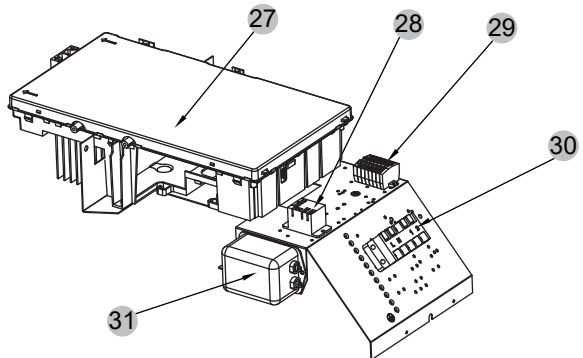
Exploded Diagram

Model and code: (PASRW040-P-BP6II-AT 1H-PASRW040EE17)

1 Complete machine structure explosion diagram



2 Electrical control structure explosion diagram



Exploded Diagram

No.	Code	Name	Specifications	Qty
1	807000007002	Front panel	Galvanized plate	1
2	20000-220068	Waterproof box	PC top cover + PC bottom cover	1
3	807000007036	Wind board	Black 9005	1
4	301030-00000001	Fan Blade	Φ510×160-Φ12(10)×3(SW)	1
5	20000-330132	Fan motor	ZWS75-A	1
6	807000007000	Back panel	Black 9005	1
7	80705116	Fan Motor Support	Galvanized plate	1
8	80600044	Fin heat exchanger	680×290×700×Φ7×1.5 2.0	1
9	80700246	Supporting Plate	Galvanized plate	1
10	80700700	Supporting Plate 2	Galvanized plate	1
11	807000007001	Top cover	Black 9005	1
12	2000-3257	Rejector	HT225-20-L8-H5	1
13	32009-220029	Junction box	B-ABS	1
14	807000007003	Right panel	Black 9005	1
15	82500021	Reactance	EL205FN	1
16	20000-140150	Needle	40mm 1/2"	1
17	2004-1444	Filter	Φ9.7-Φ9.7 (Φ28) T2Y2	2
18	2001-3605	High pressure switch	3.2MPa/4.4MPa ±0.15	1
19	20000-360157	Low pressure switch	0.30MPa/0.15MPa ±0.05	1
20	81000013	Electronic expansion valve	DPF(B)2.2C-105	1
21	2004-1437	4-way valve	DSF-11E-1030	1
22	83000068	Flow switch	PSL-1 3/4	1
23	72300010	Titanium heat exchanger	Φ9.52×10m Φ110	1
24	80100046	Compressor	SVB220FLGMC-L	1
25	807000006998	Chassis	Black 9005	1
26	80700245	Middle Plate	Galvanized plate	1
27	823000000190	Integrated Inverter Board	2AC32I26WO1	1
28	20000-360297	Electromagnetic Relay	HATF903AS30AC220 AC220V 30A	1
29	/	Terminal Block	/	1
30	4000-3901	Wiring Terminal Block	RS9101(450V~4mm2)	1
31	2000-3257	Power Supply Filter	HT225-20-L8-H5	1